

DATSUN 180B·160B

OWNER'S MANUAL
MODEL 610
SERIES

A Word to Datsun Owners

Your DATSUN has been designed and manufactured with great precision and care to assure your satisfaction.

However, to obtain the maximum in performance, proper operation and periodic maintenance are necessary.

This book is designed to acquaint you with the many features of your new DATSUN. Proper break-in, maintenance and operational procedures are outlined, as well as technical information.

Attention to these areas is essential if optimum performance is desired. Please familiarize yourself with this manual and keep it in your glove box so you may refer to it when necessary.

If any problems are discovered in your new car, contact your authorized NISSAN/DATSUN dealer and request a complete check-up. A factory service representative will then make sure that your car is serviced in accordance with the latest factory approved methods.

All information, specifications and illustrations filled in this manual are on a basis of the latest data obtainable at the time of the publication. Nissan reserves the right to make changes or improvements at any time without notice.

NISSAN MOTOR CO., LTD.
TOKYO, JAPAN

Contents

Before Driving Your Datsun	2
Instrument and Controls	8
Starting and Operating	21
Comfort and Convenience Features	29
In Case of Emergency	39
Maintenance	41
Specifications	61
Index	66

Before Driving Your Datsun

SAFETY CHECKS

Outside

- Check that all windows and light lenses are clean.
- Visually inspect tires for condition. Also check tire inflation pressures.
- Check brake and clutch fluid level.
- Adjust inside and outside rearview mirrors (optional).

Inside

- Lock all doors.
- Position seats and adjust head restraints (if so equipped).
- Fasten safety belts (optional).
- Check the operation of lights, switches and horn.
- Check the operation of warning lights when key is turned to "ON" position.
- Release parking brake and see that brake warning light turns off.

To keep your car in top condition, read "Maintenance" section in this manual.

KEYS

Your keys operate the various locks on your Datsun.

Record your key numbers so as to enable your NISSAN/DATSUN dealer to replace the lost key with a new one.



DR212
— Ignition switch
— Steering lock (optional)



DR213
— Door lock
— Trunk lid/Tailgate lock
— Fuel filler lid lock
— Glove box lock
(Except Sedan Standard
and Van)

DOOR LOCKS

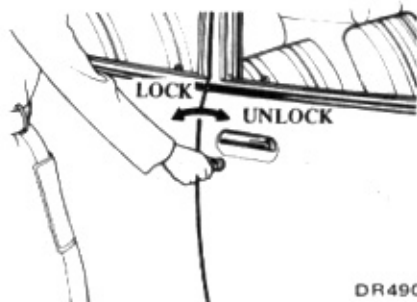
Sedan, Station Wagon and Van

To lock the door insert the key and turn it toward the rear of the car. Turn the key toward the front of the car to unlock the door.

Hardtop

To lock the door insert the key and turn it toward the front of the car. Turn the key toward the rear of the car to unlock the door.

Note: Be sure to remove the key before you apply all door locks from outside.

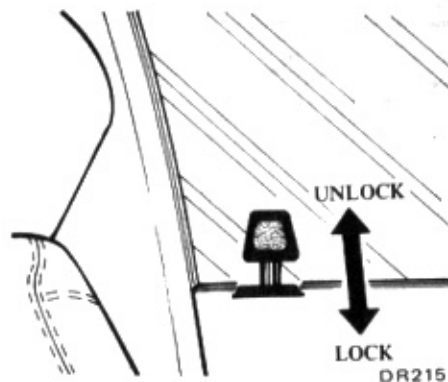


[From inside — Except Hardtop]

To lock a door from the inside of the car, push the lock button down. To unlock, pull the button up.

The front doors will not lock, even if the buttons are pushed down before you close the door. This is to prevent your accidentally locking your key inside the car.

Front doors, however, can be locked without key from outside by first pushing the lock button down, pulling outside door handle and closing the door.

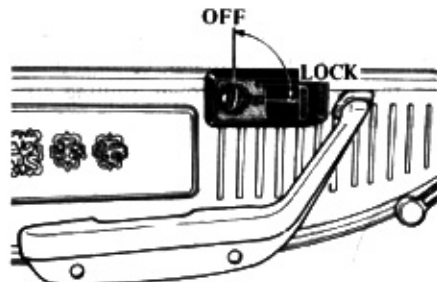


Before Driving Your Datsun

[From inside – Hardtop only]

To lock a door from the inside of the car, place the lock knob on the "Lock" position. To unlock, place it on the "Off" position.

Front doors can be locked without key by doing the same procedure mentioned before.



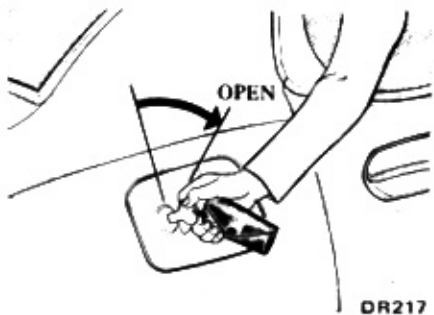
DR216

FUEL FILLER LID LOCK

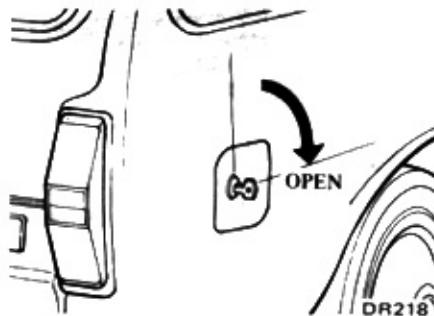
To open the fuel filler lid, insert the key and turn it clockwise.

To lock, turn it counterclockwise or just push the fuel filler lid firmly.

Do not forget to install the filler cap after refueling.



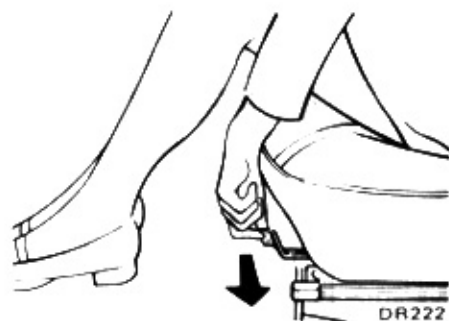
DR217



DR218

FRONT SEAT FORE-AFT ADJUSTMENT

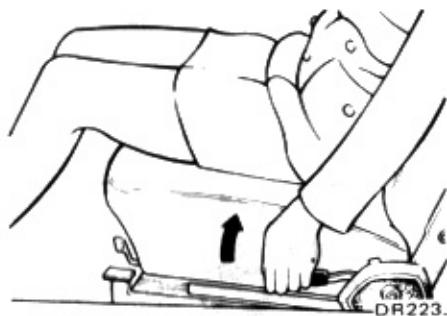
The fore-aft control lever located at the lower front of the seat, releases the seat latch. To adjust the seat position, pull the lever sideward then hold it while you slide the seat forward or backward to the desired position. Release the lever to lock the seat in position.



DR222

RECLINING SEAT

Adjust the seat back cushion to any desired position by simply pulling up the lever.



SEAT LIFTER (Standard for the models destined for Europe and Hardtop model) (Optional for the R.H. drive Sedan Deluxe, R.H. drive Station Wagon and Manual Transmission models)

Adjust the angle of seat cushion to any desired position by simply pulling up the lever.



Before Driving Your Datsun

TILTING FRONT SEAT (Hardtop only)

Pull up the lever (same lever as reclining device) located outside of the front seat, and tilt the seatback.



Before Driving Your Datsun

HEAD RESTRAINTS (Optional)

Raise or lower to a comfortable position behind the head. Do not position the head restraint behind the neck.

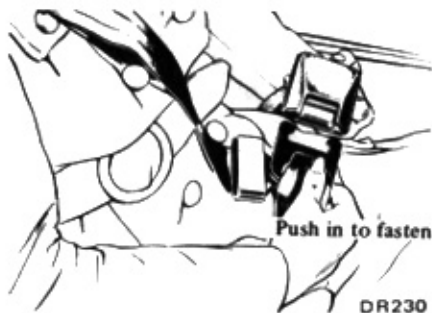


SEAT BELTS (Optional)

The seat belts are of the three-point type and under no circumstances should the shoulder and only one side of lap belt be fastened.

Before fastening the complete harness, adjust the driver's seat to the position in which you will drive, and make sure that the straps are not twisted or reversed.

Fasten the belt and adjust snugly **AROUND THE HIPS** - NOT THE **WAIST**. When adjusting shoulder belt for proper slack, place your fist on your chest under strap. The shoulder belt should not be fastened tightly across the body.



In long distance travelling, should passengers fall asleep, the belt will keep them comfortable and enable them to relax in safety.

Caution: The seat belt should not be used by more than one person or by a child weighing 23 kg (50 lbs) and under.



INSIDE REARVIEW MIRROR

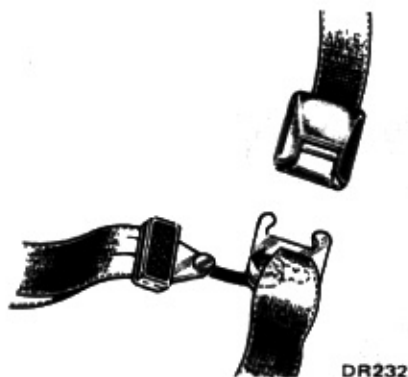
Adjust for maximum field of view.

A glare-proof type inside rearview mirror is equipped for the all models.

You can change the day-night mirror from clear daylight visibility to non-glare visibility by turning the knob under the mirror.

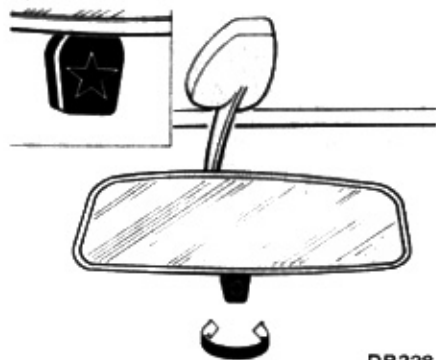
The "☼" mark is for day driving.

The "☆" mark is for night driving.



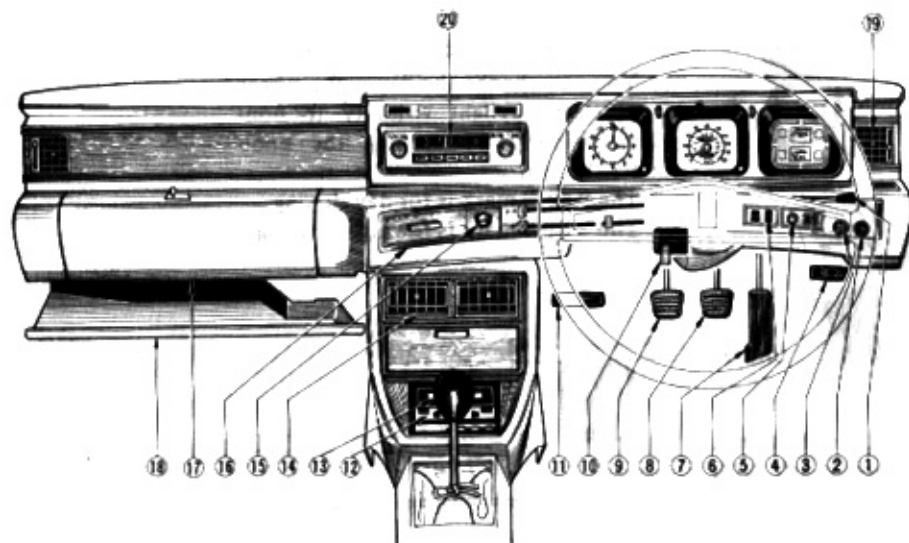
Maintenance of seat belt:

- To clean the seat belt, brush it with neutral detergent, wipe it off with cloth, and then dry it in the shade. Do not use other chemicals or try bleaching or re-dyeing.
- If an accident may strain the seat belts, the seat belts should be replaced with new ones.
- Be sure to check webbing and all metal components for damage or deterioration. Replace with a new one if any damage or deterioration is detected.



Instrument and Controls

RIGHT-HAND DRIVE (Except SSS)



IN424

① Turn signal/dimmer passing switch lever

② Wiper and washer switch

③ Light switch

④ Hood release handle

⑤ Hazard warning switch

⑥ Rear window defroster switch (Optional)

⑦ Accelerator pedal

⑧ Brake pedal

⑨ Clutch pedal

⑩ Choke knob

⑪ Parking brake lever

⑫ Cassette stereo (Optional)

⑬ Gear control lever

⑭ Heater (Optional)

⑮ Cigarette lighter (Optional)

⑯ Ash tray
⑰ Glove box

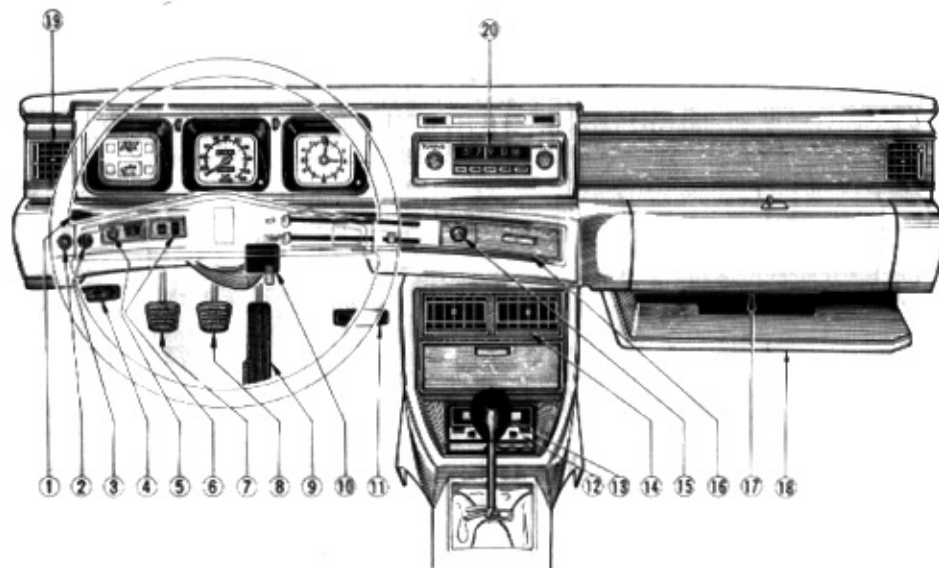
⑱ Package tray (Except Sedan standard and Van)

⑲ Side ventilator

⑳ Radio (Optional)

Instrument and Controls

LEFT-HAND DRIVE

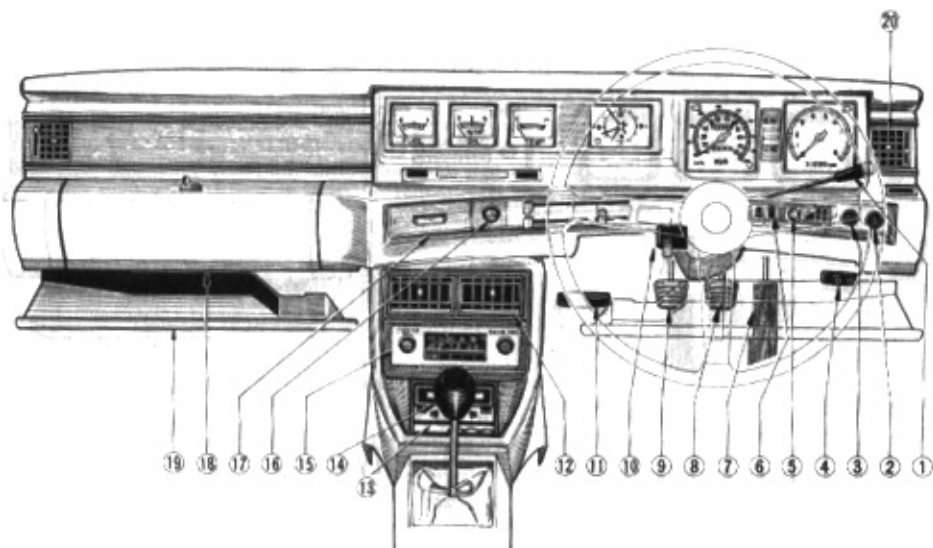


IN425

- | | | |
|---|------------------------------|---|
| ① Turn signal/dimmer passing switch lever | ⑦ Clutch pedal | ⑱ Cigarette lighter (Optional) |
| ② Wiper and washer switch | ⑧ Brake pedal | ⑲ Ash tray |
| ③ Light switch | ⑨ Accelerator pedal | ⑳ Glove box |
| ④ Hood release handle | ⑩ Choke knob | ⑲ Package tray (Except 160B Sedan Standard and Van) |
| ⑤ Hazard warning switch | ⑪ Parking brake lever | ⑳ Side ventilator |
| ⑥ Rear window defroster switch (Optional) | ⑫ Cassette stereo (Optional) | ⑳ Radio (Optional) |
| | ⑬ Gear control lever | |
| | ⑭ Heater (Optional) | |

Instrument and Controls

RIGHT-HAND DRIVE (SSS only)



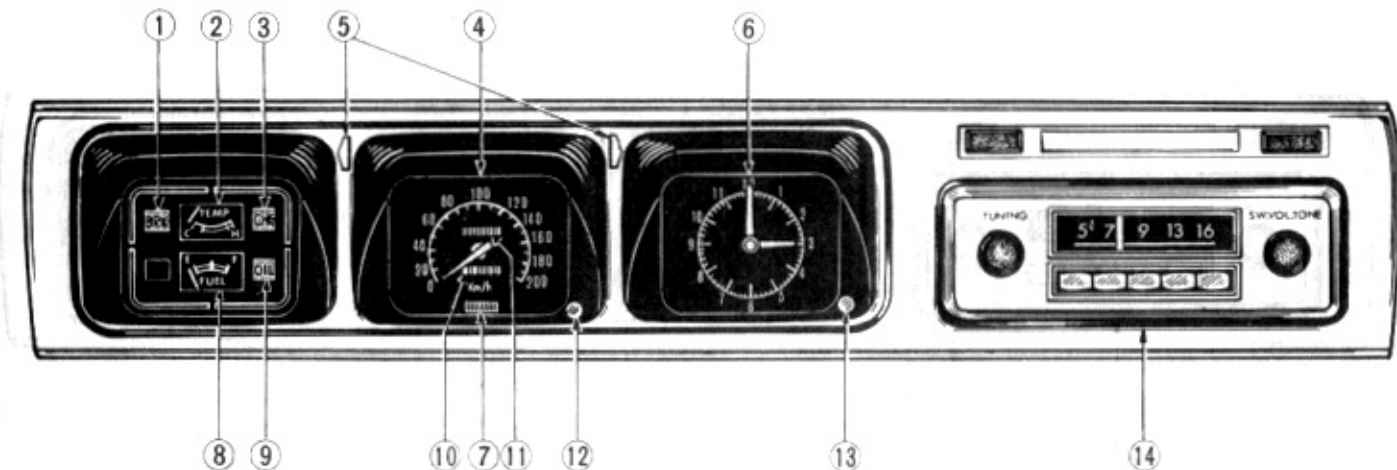
- ① Turn signal/dimmer passing switch lever
- ② Wiper and washer switch
- ③ Light switch
- ④ Hood release handle
- ⑤ Hazard warning switch
- ⑥ Rear window defroster switch (Hardtop Deluxe only)

- ⑦ Accelerator pedal
- ⑧ Brake pedal
- ⑨ Clutch pedal
- ⑩ Choke knob
- ⑪ Parking brake lever
- ⑫ Heater (Optional)
- ⑬ Cassette stereo (Optional)

- ⑭ Gear control lever
- ⑮ Radio (Optional)
- ⑯ Cigarette lighter (Optional)
- ⑰ Ash tray
- ⑱ Glove box
- ⑲ Package tray
- ⑳ Side ventilator

IN426

INSTRUMENT (Left-hand drive)

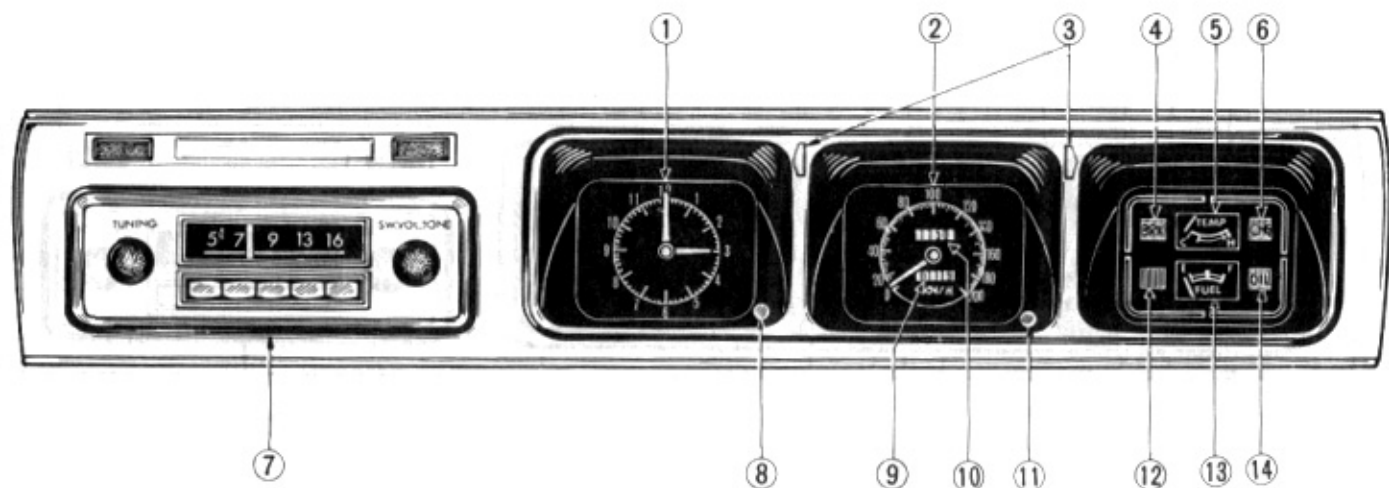


- | | |
|--------------------------------|--------------------------------|
| 1 Brake warning light | 8 Fuel gauge |
| 2 Water temperature gauge | 9 Oil pressure warning light |
| 3 Ignition warning light | 10 Odometer |
| 4 Speedometer | 11 Tripmeter |
| 5 Turn signal indicator lights | 12 Tripmeter reset knob |
| 6 Clock (Optional) | 13 Clock reset knob (Optional) |
| 7 High beam pilot lamp | 14 Radio (Optional) |

IN427

Instrument and Controls

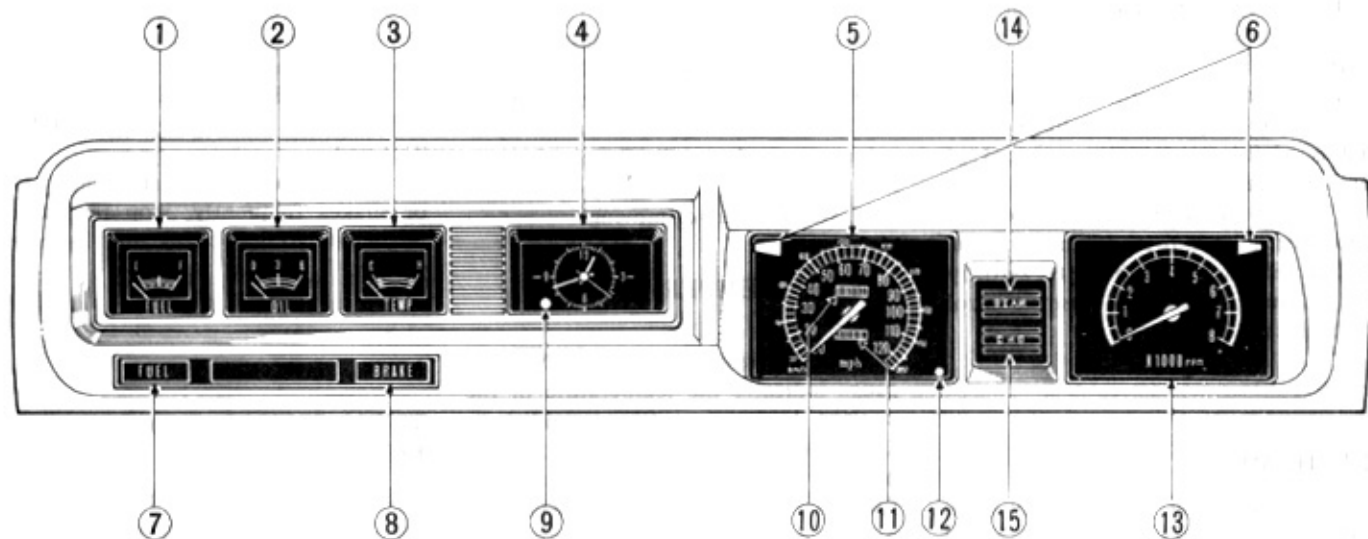
INSTRUMENT (Right-hand drive except SSS)



- | | |
|-------------------------------|-------------------------------|
| 1 Clock (Optional) | 8 Clock reset knob (Optional) |
| 2 Speedometer | 9 Odometer |
| 3 Turn signal indicator light | 10 Tripmeter |
| 4 Brake warning light | 11 Tripmeter reset knob |
| 5 Water temperature gauge | 12 High beam pilot lamp |
| 6 Ignition warning light | 13 Fuel gauge |
| 7 Radio (Optional) | 14 Oil pressure warning light |

IN428

INSTRUMENT (Right-hand drive SSS only)



- | | |
|--------------------------------|--------------------------|
| ① Fuel gauge | ⑧ Brake warning light |
| ② Oil pressure gauge | ⑨ Clock reset knob |
| ③ Temperature gauge | ⑩ Tripmeter |
| ④ Clock | ⑪ Odometer |
| ⑤ Speedometer | ⑫ Tripmeter reset knob |
| ⑥ Turn signal indicator lights | ⑬ Tachometer |
| ⑦ Fuel warning light | ⑭ High beam pilot lamp |
| | ⑮ Ignition warning light |

IN429

Instrument and Controls

SPEEDOMETER

The speedometer indicates car running speed in kilometers or miles per hour.

The odometer records the total kilometers or miles your car has been driven and is useful for keeping a record of maintenance intervals.

The trip odometer registers the kilometers or miles in total driving distance.

The dial is turned back to zero by pulling and turning the reset control knob clockwise.

TACHOMETER (Optional)

The tachometer is electrically operated and indicates the engine speed calibrated in thousands of revolution per minute (r.p.m.). Two zones are colored on its face.

For normal driving, it is recommended that your car is driven in the non-color or yellow sector.

Do not drive with the tachometer gauged at red zone, or the engine may be seriously damaged.

FUEL GAUGE

With the ignition switch "ON," the fuel gauge indicates the approximate amount of fuel in the tank. The position of the needle will vary slightly when accelerating, braking, or when the car is going up or downhill. So check your fuel supply when the car is on the flat level, standing still or moving.

WATER TEMPERATURE GAUGE

With the ignition switch "ON," this gauge indicates the temperature of the coolant. Under most driving conditions, the needle will remain at about the half-way point. However, engine performance will be satisfactory when the pointer is at any position in the middle range. Stop-and-go driving, driving at high speeds in warm weather, hill climbing, or towing another car may cause the needle to move toward the "H" (or 120°) side. If the needle should swing all the way to the "H" (or 120°) position and remain there for more than a few minutes, stop the car and cool the engine, keeping it at 1,000 to 1,500 rpm.

OIL PRESSURE GAUGE (R.H. drive SSS only)

The oil pressure gauge operates and the pointer indicates oil pressure of the lubricant in the engine.

During ordinary driving, the pointer will indicate 1 to 5 kg/cm² (14.2 to 71.1 psi).

If the pointer moves abnormally low or shakes frequently, stop the engine immediately and check the lubricant system.

TURN SIGNAL INDICATOR LIGHT

Two indicator lights are installed on the upper side of the speedometer and flash simultaneously with the exterior directional indicator lights.

Instrument and Controls

HEADLIGHT BEAM INDICATOR LIGHT

The headlights are equipped with high and low beams to meet varying night driving conditions. The high beams give you better long range visibility on dark roads. The beam indicator glows when the high beams are being used and goes off when the low beams are selected.

BRAKE WARNING LIGHT (R.H. drive SSS only)

The brake fluid level indicator switch is installed as standard equipment. With the ignition switch "ON", the warning light will glow when the brake fluid level is lower than normal.

In the event of a hydraulic leak the service brake system will provide some braking action with the actuator in the master cylinder reservoir.

If, when the service brake is free, the warning light comes on while the car is moving, brake fluid level should be checked immediately.

Add brake fluid if necessary.

The same warning light is also used as the parking brake warning light. With the ignition switch turned "ON", apply the parking brake. The light should glow.

If it does not glow, check for a burned out bulb or a broken wire.

BRAKE WARNING LIGHT (For Europe only)

The foot brake system is designed with a dual circuit, one circuit controlling the front wheels and one the rear wheels. When the brake pedal is depressed, both circuits operate simultaneously, but each circuit is independent of the other—if one circuit should fail, the other will continue to operate. To check the operation of the dual circuit system, turn the ignition to "ON" and depress the brake pedal. The brake warning light should not glow. If it does glow, only one circuit is operating. Have your brakes repaired immediately. Only if it is safe should you drive your car, at reduced speed, to the nearest service station.

The same warning light is also used as the parking brake warning light. With the ignition switch turned "ON", apply the parking brake. The light should glow. If it does not glow, check for a burned out bulb or a broken wire.

PARKING BRAKE WARNING LIGHT

With the ignition turned on, the parking brake warning light comes on whenever the parking brake is applied.

The light will go out when the parking brake is released.

If the light does not come on when the parking brake is applied, check the electrical system for a burned out bulb or an open circuit.

Instrument and Controls

FUEL WARNING LIGHT

(R.H. drive SSS only)

With the ignition switch "ON", the fuel warning light operates and glows red when the approximate amount of fuel in the fuel tank decreases below 8 liters (2 $\frac{1}{2}$ U.S.gal., 1 $\frac{3}{4}$ Imper.gal.).

IGNITION WARNING LIGHT

With the ignition switch "ON," the ignition warning light glows red if the alternator is not supplying current to the electrical system. After the engine has started, the light should go out, indicating that the alternator is operating properly. The light may glow or flicker occasionally when the engine is idling. However, if the light remains on steadily at normal driving speeds, the alternator and electrical system should be checked.

OIL PRESSURE WARNING LIGHT (Except R.H. drive SSS series)

If the ignition is switched "ON," the oil pressure warning light will glow red. If does not, the bulb and wiring should be checked. As soon as the engine starts and oil pressure is normal, the light will go out. If oil pressure drops below the safe operating level, the light will glow. After a sudden stop, the light may flicker a few seconds but this is not harmful. However, if the light glows steadily at normal driving speeds, stop the engine immediately and have the lubrication system checked.

ILLUMINATION LAMP (Optional)

Brightness of the illumination lamp is continuously adjustable with the knob located on the lower front face of the instrument panel. Turn the knob clockwise to increase, or counterclockwise to decrease, the brightness of the lamp.

TURN SIGNAL SWITCH

R.H. Drive

To signal a left turn, push the turn signal switch lever upward (toward the top of the steering wheel). For a right turn signal, pull the lever downward.

L.H. Drive

To signal a left turn, pull the turn signal switch lever downward and for a right turn, push the lever upward.

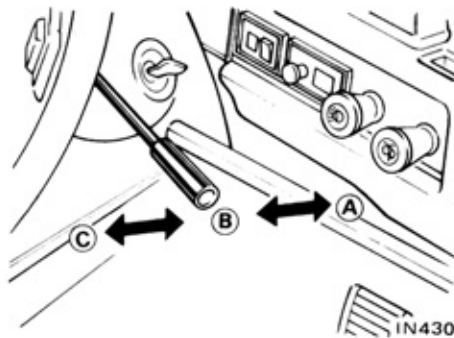
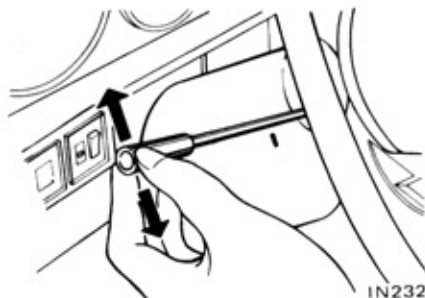
With the lever in either position flashing lights, on the front, both sides and rear, indicate to other drivers the direction you intend to turn. Corresponding indicator lights on the dash panel tell you which set of signal lights is operating. Occasionally the turn may be so wide and gradual that the steering wheel will not rotate far enough to cancel the turn indicator after you have completed the turn. If this happens, just flick the lever to its "OFF" position.

Instrument and Controls

LIGHT SWITCH

R.H. drive

With the light switch knob pulled "ON," the following lights are turned on, when the dimmer switch lever is operated.



Lever positions:

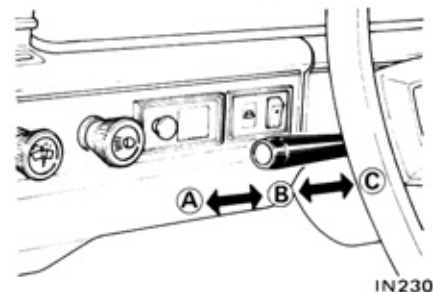
- A: Parking, tail, license and indicator lights
- B: Headlights and all above lights
- C: Headlight beam (high-low switch)

If you leave the lever in the C position, the lever will automatically return to the B position. In case of high beam, the high beam pilot lamp in the instrument glows.

L.H. drive

With the light switch knob pulled "ON" at the first position, parking, tail, license, automatic transmission selector lever indicator and instrument panel lights turned on (with the A or B lever position).

With the light switch knob pulled "ON" at the second position, the following lights are turned on when the dimmer switch lever is operated.



Lever position:

- A: Parking, tail, license, indicator lights, headlights (high) and high beam pilot lamp
- B: Headlights (low) and all above lights

Instrument and Controls

C: Headlight high beams, parking, tail, license and indicator lights

If you leave the lever in the C position, it will automatically return to the B position. If the high beam is on, the high beam pilot lamp on the instrument panel glows.

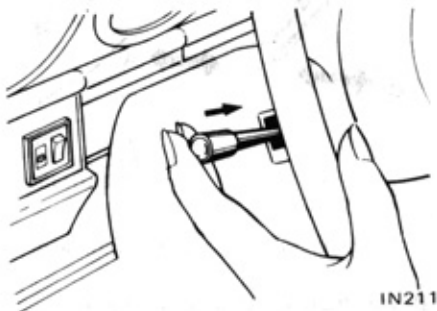
PASSING LIGHT SWITCH

The high beam lamp will lit, when the turn signal lever is pulled backward (left-hand drive).

In the case of right-hand drive model, headlights (high or low) will lit.

The lights may be flashing to let other drivers know that you want to pass them.

At night alternate the headlight beams between "High and Low".

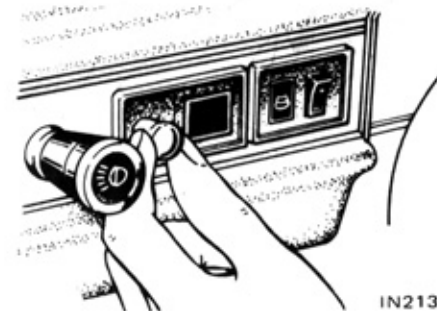


In the case of right-hand drive, the headlight beams between "High and Low".

HAZARD WARNING SWITCH

By pulling this knob, all directional indicator lights will flash at the same time, warning other cars of your trouble.

Abuse causes a discharged battery.



Instrument and Controls

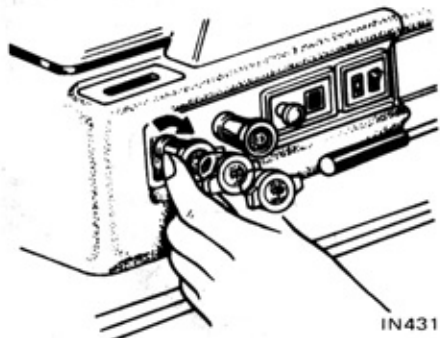
HORN

Sound the horn by depressing the horn button on both sides of the steering spokes. (For SSS, the button is in the center of the steering wheel.)

WIPER AND WASHER SWITCH

Sedan, Station Wagon and Van

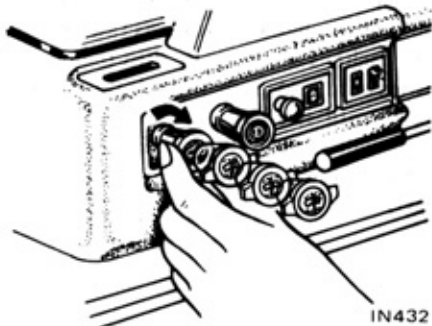
The windshield wiper has two speed positions: the first position is for low speed and the second is for high.



Hardtop

The windshield wiper has three speed positions.

In the first position, the wiper blades operate intermittently. The second position is for low speed and the third is for high.



The wiper switch also controls the windshield washer.

To operate the washer, turn the knob clockwise and hold it until there is enough fluid on the windshield to wash off the dirt.

Do not operate the washer continuously for more than thirty seconds and do not operate the wiper when the windshield is dry or the fluid reservoir is empty.

Do not use radiator anti-freeze in the windshield washer; it may cause point damage.

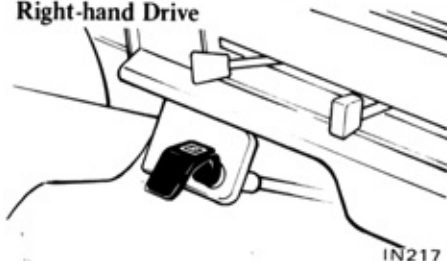
Instrument and Controls

CHOKE CONTROL KNOB

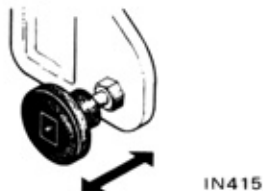
The choke is controlled by a "Push-Pull" type knob. Pull the knob out to the desired position and it will remain there. When the engine is warmed to operating temperature, push the knob all the way in.

Note: Always return the choke knob to the closed position after the engine is warm. If you drive the car with the choke pulled out, the result will be greater fuel consumption and possible engine problems.

Right-hand Drive

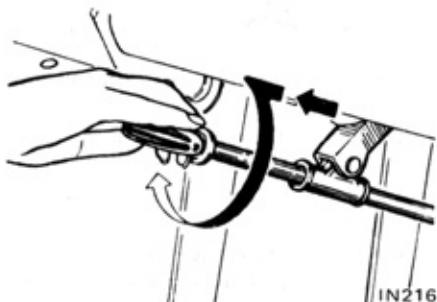


Left-hand Drive



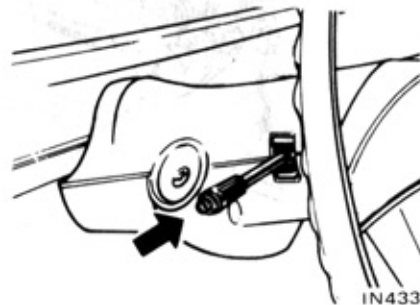
PARKING BRAKE LEVER

The parking brake is applied by pulling the handle outwards (away from the dash). To release it, turn the handle downward and push it back toward the dash until it stops. The brake warning light will glow if the ignition switch is "ON" while the parking brake is engaged.



HEAD LAMP CLEANER (For Sweden only)

If the head lamp lens becomes dirty and the light dim, push the switch button to operate the lens wiper to wipe the lens clean. While the button is depressed, washer fluid will be sprayed on the lens. The head lamp washer fluid tank should be kept full at all times.



Starting and Operating

BREAK-IN SCHEDULE

All new cars require a break-in period during which the car should be driven carefully. Pistons, cylinder walls, and bearings must be in operation for some time before they produce smooth, long wearing surfaces. Putting too much strain on a new engine impedes this gradual break-in process and is likely to shorten the engine life.

During the first 1,600 km (1,000 miles) the car must not be driven at full throttle, nor should the speed exceed the upper limit except for very brief periods. However, this does not mean the engine should be allowed to labor before downshifting when climbing a hill. Always drive your car so that the engine runs at a sufficiently high speed to prevent strain.

- Avoid driving at full throttle for the first 1,600 km (1,000 miles).
- Do not allow the engine to labor in any gear.
- Do not race the engine.
- Other than in case of emergency, avoid heavy braking or rough usage of the brakes, before the friction pads are fully bedded in.

Break-In Speed Limit

Manual Transmission

Unit: km/h (MPH)

	1st	2nd	3rd	4th	5th
4-speed (Except SSS)	0 to 25 (0 to 15.6)	20 to 45 (12.1 to 28.1)	30 to 70 (18.8 to 43.8)	40 to 100 (25.0 to 62.5)	—
5-speed (SSS only)	0 to 35 (0 to 21.9)	20 to 55 (12.5 to 34.4)	35 to 90 (21.4 to 56.3)	45 to 115 (28.1 to 71.8)	55 to 135 (34 to 84)

Automatic Transmission

	1st	2nd	3rd
Automatic transmission	40 (25.0)	70 (43.8)	105 (65.6)

Starting and Operating

STARTING THE ENGINE

Warning

Never start the engine in a closed or poorly ventilated place. Carbon monoxide is odorless but can be fatal.

If you have a leaking exhaust, have it replaced or repaired promptly.

Ignition switch

The "ACC" (accessories) position allows you to use all the electrical accessories controlled by the switch. To turn on the ignition system as well as all the electrical circuits, turn the key to the "ON" position. The "START" position allows you to start the engine. After the engine has started, release the key. It will automatically turn back to the "ON" position.

The ignition switch, which is integrated with the steering lock device (option), controls the engine ignition system and electrical equipment.

The ignition key can be inserted and removed both at the "Lock" and "Garage" position.

Steering lock

Unlocking

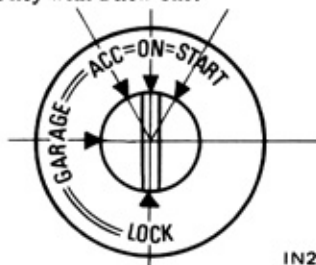
To unlock the steering, insert the key in the "LOCK" and turn it to the "GARAGE" position.

For easier key operation when unlocking, rotate the steering wheel slightly to relieve pressure on the steering lock.

Locking

The steering can be locked by turning the key in the "LOCK" position, removing the key, and rotating the steering wheel until the locking plunger clicks into position.

Note: Record this key number. It enables your NISSAN/DATSUN dealers to replace the lost key with a new one.



IN218

Starting and Operating

Before you start the engine:

1. Make sure the parking brake is "ON."
2. Place the transmission into "NEUTRAL."
3. If automatic, place it in "P" or "N" positions.
4. With manual transmissions, it is also a good idea to depress the clutch pedal especially in cold mornings, to reduce the drag from the transmission gears.

– Engine Warm –

If the engine is relatively warm, you should not need to use the choke at all. Just press the accelerator pedal down about one-quarter of its travel to the floor, and turn the ignition key to "START." When the engine starts running under its own power, release the key and it will spring back to the "ON" position.

– Engine Cold (Cold weather) –

With a cold engine, pull the choke control button out all the way, press the accelerator pedal down slightly, and then start the engine. As soon as the engine starts, push the choke control button in far enough to keep the engine running smoothly. Then push it in all the way when the temperature gauge pointer begins to move toward its normal operating range. Do not drive with the choke control button pulled out. This may result in excessive fuel consumption.

– Engine Flooded –

Pumping the accelerator pedal before you start up does not do any good. You will only flood the engine with gasoline and engine will not start. If you have done this, however, push the choke control in all the way, and then press and hold the accelerator pedal to the floor while you operate the starting motor.

– Deicer Device (Optional) –

Turn the lever on the air horn of the air cleaner to the position "WINTER."

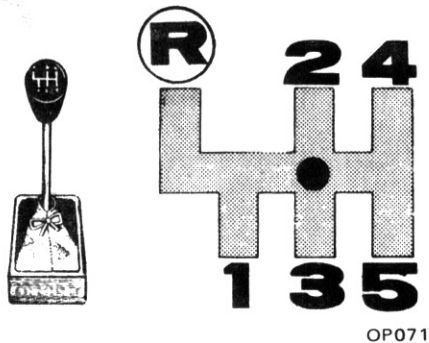
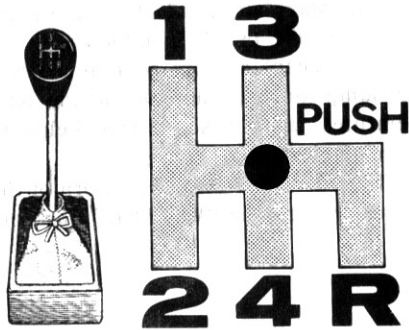
The carburetor should receive preheated intake air at outside temperature around +15°C (+59°F) and lower.

This means a more economical fuel consumption even at low outside temperatures, and it sometimes helps to eliminate carburetor icing.

Turn the lever on the air horn of the air cleaner to the "WINTER" position.

Starting and Operating DRIVING WITH MANUAL TRANSMISSION

Your car has a (4-forward and 1-reverse or 5-forward and 1-reverse) speed transmission. The shift pattern diagram is shown in the figures below.



Before starting the engine, make sure that the gearshift lever is in the "N" (Neutral) position.

To start the car moving, first depress the clutch pedal fully and shift the gear shift lever from "N" (Neutral) to "1" (Low gear). Then release the clutch pedal gradually with the accelerator pedal slightly depressed.

Accelerator until the car attains enough speed to up-shift into "2" (Second gear). With the clutch pedal fully depressed, shift into "2" (Second gear), release the clutch pedal and accelerate. Shift from second to third to fourth and to fifth in the following prescribed speed ranges, in the same manner as shifting into "2". To stop the car, release the accelerator pedal and press the brake pedal until the car slows down to 15 to 25 km/h (10 to 15 MPH). Then depress the clutch pedal, continuing to brake until the car comes to a complete stop.

Notes:

1. When you shift from one gear to another, be sure that you depress the clutch pedal all the way to the floor to avoid clashing and chipping the transmission gear.
2. Shift into reverse gear only after the car has come to a complete stop.
3. Do not rest your foot on the clutch pedal except when you are ready to shift gears. Using the clutch pedal as a footrest may result in clutch problem.
4. Never slip the clutch by releasing the pedal just enough to hold the car at a standstill on a steep hill.
5. When climbing steep grades, down-shift into a lower gear before the engine starts to labor. To maintain safe speeds on steep down-grade and to help save brakes, shift to a lower gear before you start down.
6. When quick acceleration is required, shift to a lower gear and accelerate until the car reaches maximum speed in each gear. Do not exceed the speed range of any gear.
7. In normal acceleration, it is most economical to change gears at the lower end of the speed ranges prescribed.

Appropriate Speed Range in Each Gear

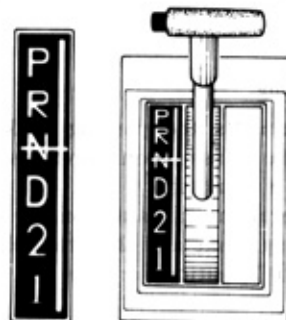
Unit: km/h (MPH)

	SSS	Sedan (Except SSS)	Van Station Wagon
1st	0 to 50 (0 to 31.3)	0 to 50 (0 to 31.3)	0 to 45 (0 to 28.1)
2nd	20 to 85 (12.5 to 53.1)	20 to 80 (12.5 to 50.0)	20 to 75 (12.5 to 46.9)
3rd	35 to 130 (21.9 to 81.2)	30 to 80 (18.3 to 75.0)	30 to 105 (18.3 to 65.6)
4th	45 to (28.1 to)	40 to (25.0 to)	40 to (25.0 to)
5th	55 to (34 to)	—	—

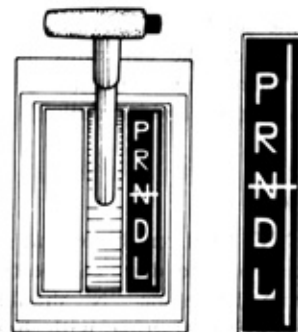
**Starting and Operating
DRIVING WITH AUTOMATIC
TRANSMISSION**

SELECTOR LEVER INDICATOR

The indicators are as shown below:



OP061



OP042

Starting and Operating

Engine Starting:

Always start the engine in "P" or "N" position.

"P" Parking:

Supplements the parking brake by locking the transmission. Never use "P" while car is in motion.

Whenever the car is stationary, apply the parking brake and shift the selector lever to "P" position.

"R" Reverse:

Shift the selector lever to "R" position only when the car stops moving forward. Then depress the accelerator pedal down lightly and carefully.

"N" Neutral:

In the "N" position, the output shaft is unlocked; but no drive can be transmitted from the engine. "N" should be used for engine starting with brakes applied.

"D" Drive:

For most city and highway driving. Gently depress the accelerator pedal to start the car moving. The car starts in low and shifts automatically to second and finally to top gear.

You can get fast car-passing acceleration or extra hill climbing power at speeds below 90 to 100 km/h (55 to 60 MPH) without shifting the lever from "D" position. Depress the accelerator pedal smartly to the floor (kick-down) and hold it there for a downshift to second or low gear. To return to top gear again, just lift your foot off the pedal for a moment.

"2" Second Gear (3N71B):

For driving on slippery surfaces, traffic braking, or steep descents, the car remains in second gear. Do not shift into "2" at speeds over 100 km/h (60 MPH).

"1" Low Gear (3N71B):

For driving up very steep hills and for heavy braking on hilly roads, the car starts and remains in low gear. When downshifting, moving selector lever from "D" or "2" to "1," car remains in second gear until 30 to 40 km/h (20 to 25 MPH) before shifting to low gear. Do not exceed 105 km/h (65 MPH) in this range.

"L" Low (BW-35)

Put the selector lever to "L" position for driving in mud, sand, deep snow, or for braking action on steep downgrades.

Be sure not to shift or drive in "L" speeds faster than 105 km/h (65 MPH).

TIPS ON DRIVING

Driving uphill

When starting on a steep grade it is sometimes difficult to operate the brake and clutch. The operation of the parking brake, clutch pedal and accelerator pedal is very important.

The engine brake is the most effective for descending hills. The gearshift lever should be placed in the lower speed position prior to descending. With the automatic transmission car, it should be selected to "2" or "1" position.

When the car is coasting with a gear engaged, never release the clutch pedal suddenly, because it is apt to damage the driving mechanism.

Skid or slip

Sudden braking, abrupt accelerating or turning on icy, slippery or loose road surface may cause skidding or slipping. In such a case, take your foot off the brake pedal or accelerator and turn the steering wheel into the skid direction.

Wet brakes

After washing the car or when driving under extremely wet conditions, the brake linings sometimes get wet. In that case depress the brake pedal at intervals while running at low speeds to dry the linings. Never drive at high speeds until the functioning of the brakes is fully recovered.

Fuel economy

Operational economy is one of the outstanding features of your car. However, by paying attention to the following points even greater economy will result.

1. Do not depress the accelerator pedal suddenly. Gently depress until the desired speed has been attained and then, try to maintain that speed.
2. Always drive the car in the gear which properly suits the driving conditions.
3. Do not pump the accelerator.
4. Keep the tires at their correct pressure.

5. Pay attention to the idle mixture adjustment.

If you follow the guidelines enumerated above, you will attain a remarkable saving in fuel.

In hot weather

Replacing the lubricant:

When the temperature stays over 32°C (90°F), the lubricating oil should be replaced with one of a higher viscosity.

Starting and Operating

In cold weather

Anti-freeze:

[Example]

Coolant capacity	Anti-freeze		
	1 liter (1 US qt, $\frac{3}{8}$ Imp qt)	2 liters (2 $\frac{3}{8}$ US qt, 1 $\frac{3}{4}$ Imp qt)	3 liters (3 $\frac{3}{8}$ US qt, 2 $\frac{3}{8}$ Imp qt)
6.0 liters (6 $\frac{3}{8}$ US qt, 5 $\frac{1}{4}$ Imp qt)	-7°C (19°F)	-18°C (0°F)	-35°C (-31°F)

In the winter when the temperature is anticipated to drop below 0°C (32°F) add anti-freeze solution to the cooling water.

Battery:

If the correct specific gravity of the battery electrolyte is not maintained during extreme cold weather condition, the electrolyte may freeze and damage the battery. Therefore to maintain its maximum efficiency it should be checked regularly.

Draining of coolant water:

If the car is to be left outside without anti-freeze, drain the coolant by opening the cocks located under the radiator and on the side of the cylinder block.

Replacing lubricant:

When the temperature drops below -12°C (10°F), it is recommended that the lubricating oil be replaced with one of a lower viscosity. Refer to "Recommended SAE Viscosity Number" section.

Comfort and Convenience Features

VENTILATION SYSTEM

Your Datsun incorporates four kinds of ventilation systems.

① Dash-side ventilator

According to the car speed, the outside fresh air flows into the car.

② (Forced) center ventilator (Optional)

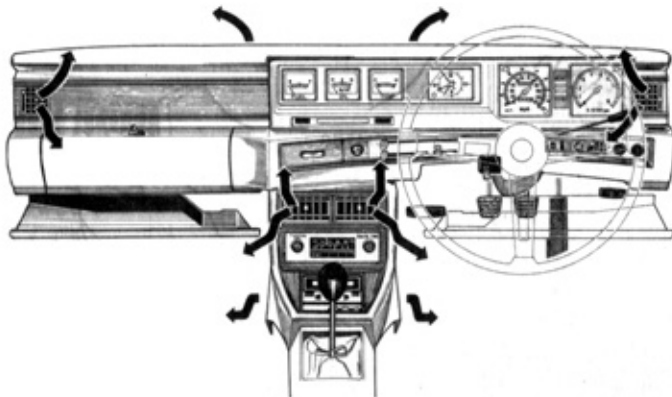
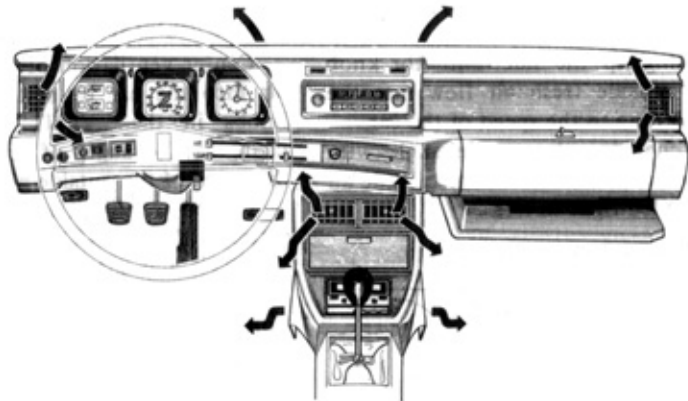
At low speeds and in stop-and-go traffic, forced ventilation provides outside fresh air by rotating the fan.

③ Console side ventilator (Optional)

The heated air blows in along your feet from the console side.

④ Defroster (Optional)

The defroster ventilation will clear the front windshield of frost.

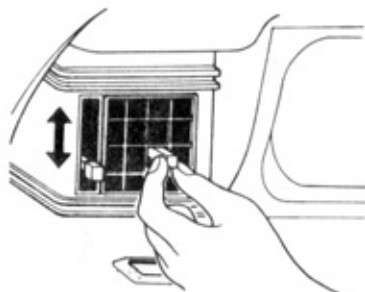


Comfort and Convenience Features

Dash-side ventilation

Pushing up the side-ventilator knob admits outside fresh air flow into the car according to the speed of the car.

By changing the nozzle angle with the lever, the direction of the outside air is controlled right to left.



CM160

Forced center ventilator (Optional)

Center ventilation provides the fresh air into the car by setting the "AIR" knobs in the "VENT" position. By changing the angle of the nozzle, the direction of the outside air is controlled.

Forced ventilation is provided by setting the "AIR" knobs at the "VENT" and move the "FAN" knobs to the desired position. (Place the ignition switch in "ON" or "ACC" position.)

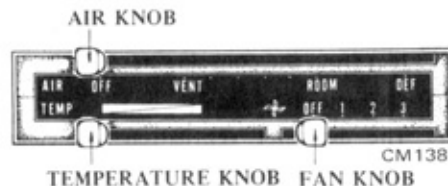


CM137

HEATER (Optional)



L.H. drive



R.H. drive

Note: Place all controls in the "OFF" positions when the heater is not used.

Comfort and Convenience Features

Air knob; Use it for

- (a) Heating the car
- (b) Defrosting and defogging of the front windshield glass
- (c) Forced ventilation

Move it to "ROOM" position provides room heating, to "DEF" position provides defrosting or defogging, and to "VENT" position provides forced ventilation.

Temperature knob;

Adjust it as required to give the desired degree of heat. Full right position of this knob provides maximum heat.

Fan knob;

The fan knob has three positions from "1" to "3." Adjust it at any desired position. To operate the blower fan, the ignition switch must be in "ON" or "ACC" position.

Operating tips

WINTER (Heater)

Move the "TEMP" and "FAN" knobs as required with placing the "AIR" knob in "ROOM" position, so you enjoy optimum distribution of heat within the car.

WINTER (Defogging)

Move the "TEMP" and "FAN" knobs as desired with placing the "AIR" knob in "DEF" position that keeps the windshield from defogging.

SPRING AND FALL (Autumn)

Hot air circulation is also provided along your feet and windows by setting the "AIR" and "TEMP" knobs at any positions between "ROOM" and "VENT," and between "OFF" and "HEAT."

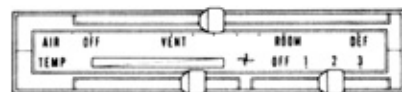
This position also provides the fresh air from center ventilator, heated air along your feet and from defroster.



CM139



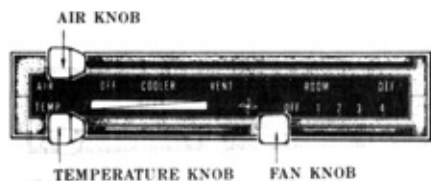
CM140



CM141

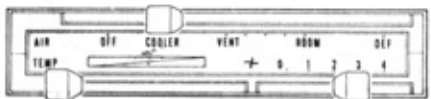
Comfort and Convenience Features

AIR CONDITIONING SYSTEM (Optional)



CM142

This air conditioning system is added with the cooler system to the heater system. Place the "AIR" knob in "COOLER" position, by moving the "TEMP" knob to the full right position, cooled air will be provided from the center ventilator and both dash side ventilators. The fan knob has four positions.



CM143

For explanations of other knob positions, refer to "Heater" column described before.

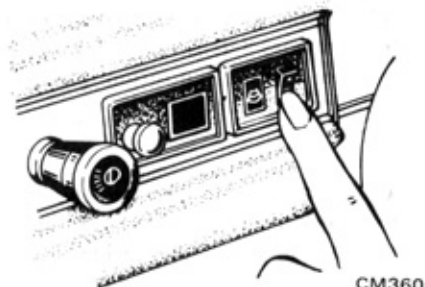
REAR WINDOW ELECTRIC DEFROSTER (Optional)

The rear heat glass incorporates a printed heating element to prevent frosting or icing.

To operate the rear window defroster, switch on the ignition and push the "•" side of the defroster switch.

The switch will glow to indicate the system is on. When the defrosting is over, turn off the switch.

If you are cleaning the room, do not clean the inner side of the window with abrasive-type glass cleaners, and do not use any type of scraper to remove foreign deposits from the inner glass surface.



CM360

Comfort and Convenience Features

AM RADIO (Optional)

The radio has five push buttons for station selection. Other stations may be selected with the manual tuning knob,

at the left side of the radio dial. To operate the radio, the ignition switch must be in "ON" or "ACC" position.

SENSITIVITY CHANGE-OVER SWITCH (outer side knob)

TONE CONTROL (outer side knob)

SLIDE BAR



CM144

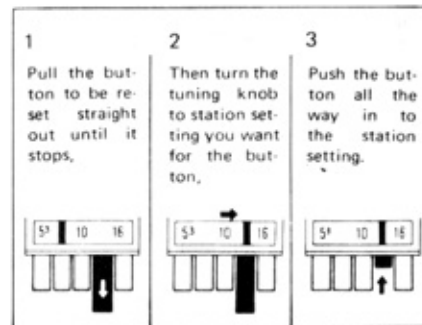
MANUAL TUNING CONTROL (inner side knob)

TUNING BUTTON

ON-OFF SWITCH and VOLUME CONTROL (inner side knob)

Adjust the push buttons as follows:

1. Pull the selector button straight out until it stops. Tune in the station you want with the manual tuning knob at the left side of the radio dial.
2. After the station is clearly turned in, push the selector button straight in until it stops, then release it.
3. Repeat steps 1 and 2 for the remaining station selector buttons.

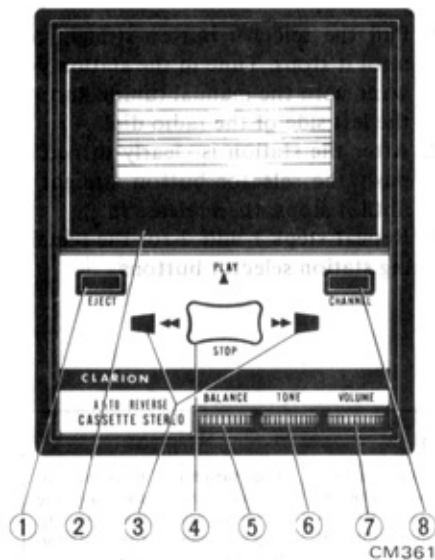


CM145

Comfort and Convenience Features

STEREO TAPE PLAYER

(Optional)



- 1 Eject button
- 2 Lid
- 3 Channel indicator
- 4 Control knob
- 5 Speaker balance controller
- 6 Tone controller
- 7 Volume controller
- 8 Program select button

Turn the ignition switch to "ON" or "ACC" position and push the eject button to open the lid. Insert the cassette cartridge along the lid until it will no longer go in. Close the lid.

Place the control knob in the "PLAY" position, and tape channel indicator will be on and music will start. The cassette cartridge contains two programs which are automatically played in succession.

- To select program, push in the program select button.
- To rewind or move the tape forward rapidly, move the control knob in the left or right direction desired.
- To stop tape motion, place the control knob in the "STOP" position.
- Sound volume is controlled by the volume controller. To balance volume from the left and right speakers, regulate the speaker balance controller.
- Tone is controlled by the tone controller.
- To take out the cassette cartridge, push the eject button and open the lid.

Note: When the car has been parked at a hot or humid place, start the cassette cartridge after running the car for some distance.

Store the tape in a cool, clean and dry place in the shade, with the tape end of the cassette cartridge in the upright position.

Pull out the cassette cartridge when it is not used (when the cassette cartridge is left as it is for a long time, with electricity switched off with the ignition key, the roller will be deformed and caused to rotate irregularly).

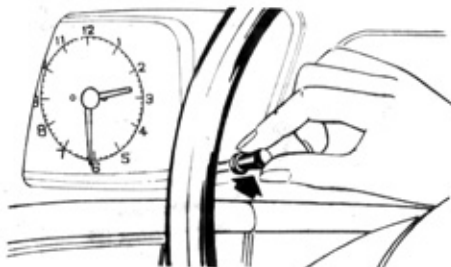
Cleaning: While used for a long time, the cassette cartridge will have its head covered with dust and tape powder so that its quality and output may be deteriorated. Open the lid by pushing the eject button, and clean the capstan (revolving metal post), head and tape guide, with a cotton-tipped swab moistened with alcohol (do not use carbon tetrachloride).

Comfort and Convenience Features

CLOCK (Optional)

The reset knob is located on the right side of the clock.

To set the clock, pull out the knob and turn it clockwise if slow, counterclockwise if fast.



CM362

CIGARETTE LIGHTER (Except Van and 160B Sedan Standard)

The cigarette lighter is located on the instrument panel face. To operate it, push it in. When it becomes heated, it automatically pops out ready for use.

The illumination light equipped into the cigarette lighter socket lights for you to locate easily at night.



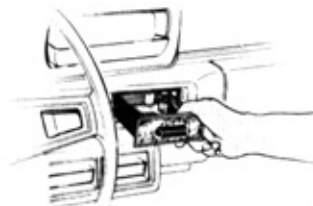
CM118

ASH TRAY

The ash tray is located on the instrument panel and on the wall of both rear doors or on the upper face of both rear arm-rests. To remove the ash tray from the instrument panel or on the wall of doors for cleaning, press down on the tab and pull the ash tray out. To remove the rear arm-rest ash tray, only lift it out.

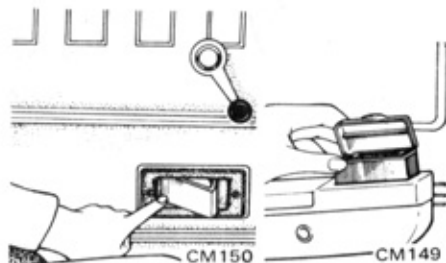
To install the instrument ash tray, position the tray to opening and push in. To install the rear door ash tray, position the tray to opening, bottom first, and push in.

For deluxe models, the illumination light equipped into the instrument ash tray socket lights for you to locate easily at night.



CM369

All models



CM150

CM149

All models
(Except Hardtop)

Hardtop only

Comfort and Convenience Features

ROOM LIGHT

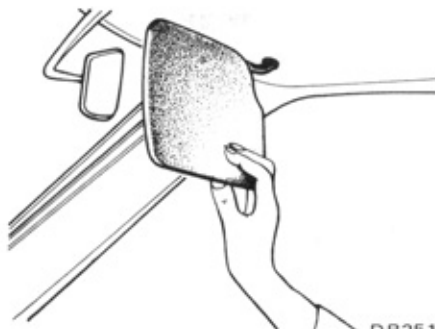
"DOOR" . . . Lit by opening the door
"ON" Continuously
"OFF" Continuously



CM151

SUN VISOR

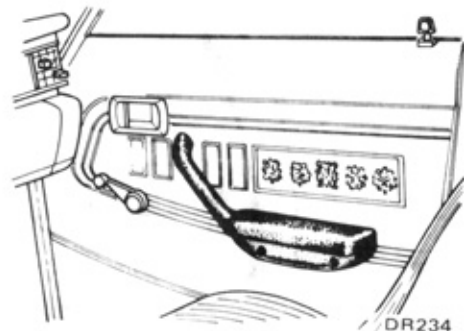
As the fitting shaft is pivoted, the sun visor also moves sideways.



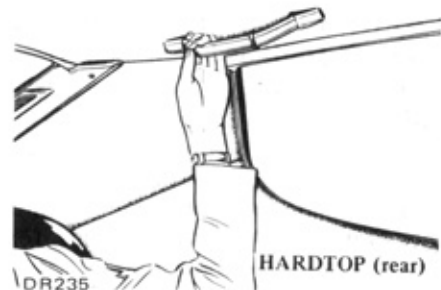
DR251

STRAP HANGER

The strap hanger is attached at the side of each door. In case of the Hardtop, the strap hanger is at the side of each side of roof rail for the rear passengers.



DR234



DR235

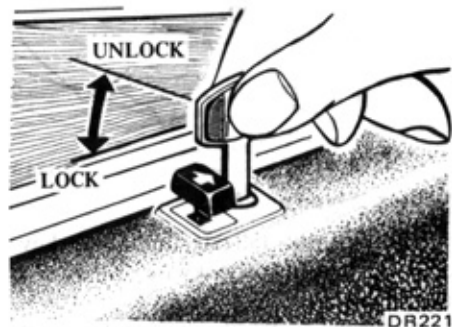
HARDTOP (rear)

Comfort and Convenience Features

GLOVE BOX LOCK

(Except Sedan Standard and Van)

To open the lid, insert the key and turn it clockwise. To lock, turn it counterclockwise.



COAT HANGER

The coat hangers are installed on both of the strap hangers for the Hardtop. For the others, the coat hanger is attached at the driver's side of side roof rail.

WINDOW CONTROL

Rotate the window control handle to raise or lower the window to any desired position.

COIN HOLDER

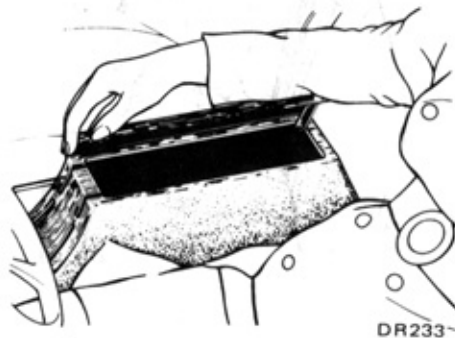
A coin holder is provided at the left end ledge of the instrument panel.

A hollowed-out receptacle for holding stacks of coins (see illustration), it serves for your small change convenience at toll gates and others.



CONSOLE BOX (Optional)

The console box is situated between the driver and the assistant seats. In case of Hardtop, use it as a console box and an arm-rest.



Comfort and Convenience Features

TRUNK LID/TAILGATE LOCK

Sedan and Hardtop

To open the trunk lid, insert the key and turn it clockwise.

To close, just push the lid firmly. With the trunk lid open, the trunk room light glows. (Except 160B Sedan)



DR219

Station Wagon and Van

To open the tailgate, insert the key and turn it counterclockwise. Then push the latch button in.

To lock, insert the key and turn it clockwise.

If the tailgate is unlocked, push the button to open the gate.



DR220

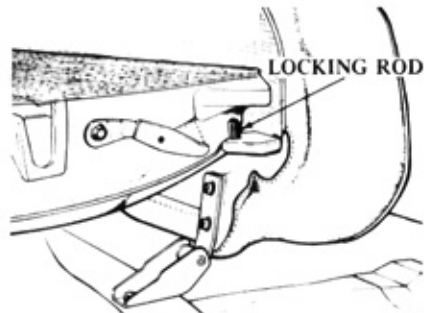
FOLDING REAR SEAT (Station Wagon and Van)

The rear seat of your Station Wagon and Van may be quickly and easily converted into cargo space when needed.

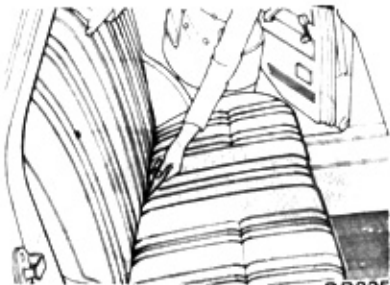
Pull the pulling strap of the rear seat cushion and fold down the seat cushion.

Release seatback lock and pull the seatback forward and down to make the floor into the cargo space.

Be sure that the locking rod of the seat cushion is inserted in the hole at the side of the seat back.



DR226



DR225

In case of Emergency

HAZARD WARNING FLASHER

Use the hazard warning flasher to warn other drivers that your car is disabled or parked under emergency conditions. Pull off the roadway if possible.

FREEING IMMOBILIZED CARS

In the case where the drive wheel(s) get stuck in sand, mud, snow, ice, etc., it is necessary to rock the car to get free. At that time, you should move the gear shift lever from first to reverse in a repeat pattern while simultaneously depressing the accelerator gently. (On automatic transmission models, operate the selector lever from "D" to "R" position.)

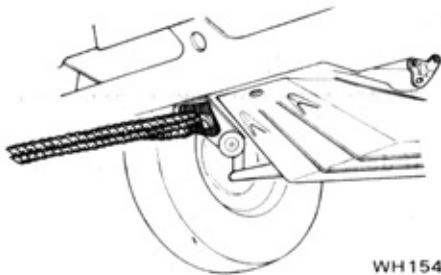
If the car is not freed by the above procedures, anti-skid materials should be placed under the spinning wheel(s) or the car should be towed out.

Under such circumstances, avoid racing the engine. This is because one actual drive wheel spins at twice the speedometer reading when the other drive wheel is stopped resulting in tire and differential damage.

TOWING THE CAR

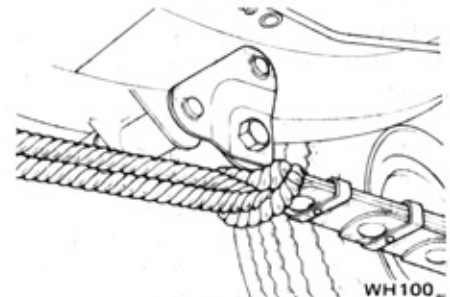
If it becomes necessary to tow the car, connect a rope to the towing hook attached to the right tension rod bracket as illustrated. Before towing, release the parking brake and place the transmission in neutral ("N" for automatic transmission).

Be sure that the transmission and rear axle are in proper working order before towing.



Note: Do not use the hook attached to the both side front bumper stays.

To tow another car, connect a rope to the rear leaf spring shackle (Station Wagon and Van) as illustrated.



If a car with an automatic transmission is being towed on its rear wheels, do not exceed 30 km/h (19 MPH) and do not tow farther than 10 km (6.2 miles).

If the transmission is inoperative, tow the car with the rear wheels off the ground, or with the propeller shaft removed.

Notes:

- Towing rope should not be connected to any positions except those described above.
- Do not take up slack in the rope too quickly.

In case of Emergency

PUSH STARTING

With manual transmission

If you cannot start your engine in the normal manner, it can be started by pushing.

As the push begins, turn the ignition to "ON", place the shift lever in second or third gear, and keep your foot all the way down on the clutch pedal. Hold the accelerator pedal about halfway down. When the car reaches a speed of about 16 km/h (10 MPH), slowly release the clutch pedal to start the engine.

CAUTION:

NEVER TRY TO START THE CAR BY TOWING IT; WHEN THE ENGINE STARTS, THE FORWARD SURGE COULD CAUSE THE CAR TO COLLIDE WITH THE TOW VEHICLE.

With automatic transmission

Cars equipped with automatic transmissions cannot be started by pushing.

JUMP STARTING WITH BOOSTER BATTERY

Because explosive hydrogen gas is always present in the vicinity of the battery, keep all sparks and flames away from it.

Do not, under any circumstances, allow battery fluid to come into contact with eyes, skin, cloth or painted surfaces. Battery fluid is a corrosive sulphuric acid solution which can cause severe burns. If the fluid should come into contact with anything, immediately flush any contacted area with water.

If done incorrectly jump starting can be hazardous.

Always follow the below instructions.

1. Position the two cars in such a manner that their engine compartments are in close proximity to each other. Set parking brakes. On manual transmission models set the gear lever in "neutral"; on automatic transmission models set the lever in "park". Switch off all unnecessary electrical loads (lights, heater, etc.).

Caution:

Ensure that the battery of the other vehicle is a 12-volt, negatively grounded one.

2. Run one jumper cable from the positive terminal of the booster battery to the positive terminal of the discharged battery. Run the other cable from the negative terminal of the booster battery to the negative terminal of the discharged battery.

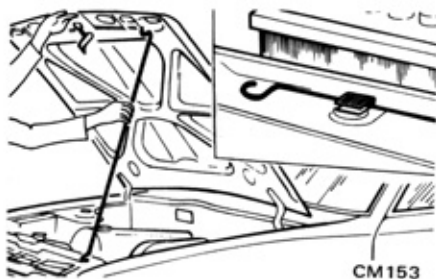
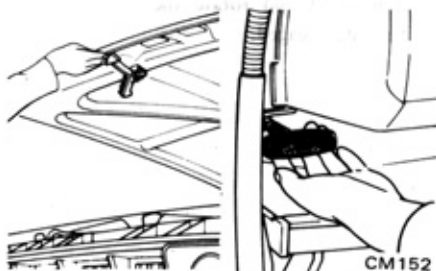
Caution:

Never confuse these jumper cable connections. If connections deviate from that described in the foregoing, damage to both charging systems or even serious personal injury could result.

3. Run the other car's engine at a steady 2,000 rpm or so, and then start your engine in the usual manner.
4. Once you have your engine running, carefully disconnect the jumper cables, exactly reversing the connection procedure.

OPENING THE HOOD

To raise the hood, pull the hood release handle located below the instrument panel to undo the safety catch beneath the hood and raise the hood by pushing the safety catch.



To keep the hood opened, insert the stay in the hole of the hood and before to shut the hood, fasten the stay to the clamp firmly. To lock the hood, lower the hood and push it down firmly.

ROUTINE SERVICE

The following items should be checked daily and/or weekly, or whenever you refuel.

- Engine oil level
- Engine coolant level
- Brake and clutch fluid level
- Windshield washer fluid level
- Battery electrolyte level
- Tire inflation pressures

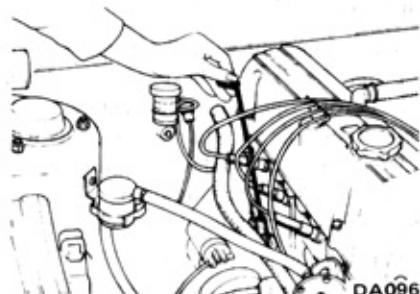
Engine oil level

The engine oil should be maintained at proper level. The best time to check it is before operating the engine or at the last step in an engine stop. This will allow the oil accumulation in the engine to drain back in the crankcase.

To make accurate oil level check;

1. Park car on a level surface.
2. Remove the dipstick, wipe it clean.
3. Reinsert it all the way into the tube for an accurate reading.
4. Remove the dipstick and to ascertain that oil level is maintained between the "H" and "L" marks. If oil level is at or below the "L" mark, add oil to raise the level to the "H" mark.
5. Reinsert the dipstick firmly, after taking the reading.

Maintenance



DA096

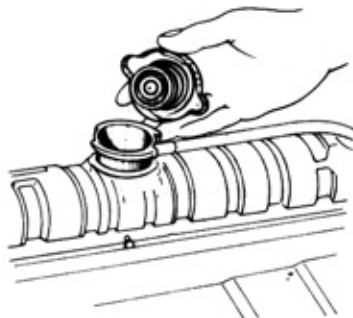


DA097

Engine coolant level

Check coolant level in the radiator and reservoir. When coolant is cold, the level in the radiator should be 25.4 mm (1 in) below the bottom of the radiator filler cap and the reservoir should be half full. The radiator and reservoir caps, 0.9 kg/cm² (13 psi) pressure type, are designed to prevent the engine from overheating.

To remove the radiator cap, depress it and turn it counterclockwise until it is disengaged.



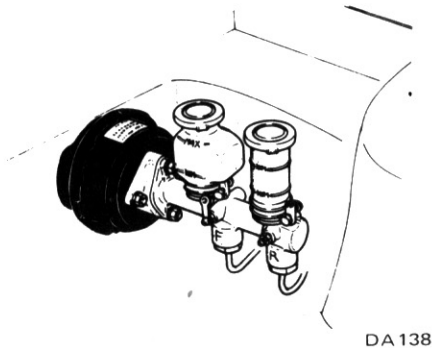
DA080

Warning: Be careful when removing the radiator cap if the coolant is hot. Turn the cap slowly to relieve internal pressure. It is best to cover the cap with a cloth before turning it. If possible, do not remove the radiator cap until the engine has cooled enough to relieve the pressure. Then press downward and rotate the cap until it is fully disengaged.

Brake and clutch fluid level

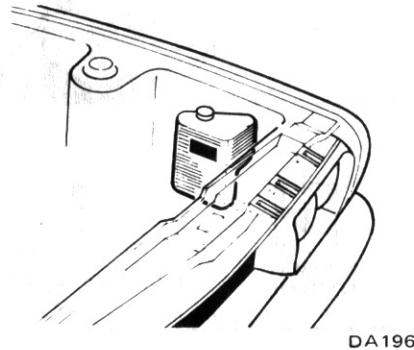
To check the fluid level, turn the reservoir cap outer ring counterclockwise and pull it upwards.

Fluid level should be maintained at the level marked on each reservoir. If the fluid level falls considerably below this level, the brake system should be thoroughly checked by your authorized NISSAN/DATSUN dealer.



Windshield washer fluid level

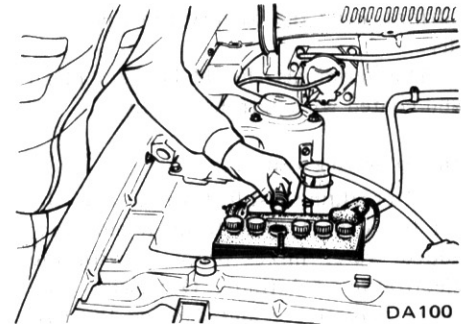
Check fluid level in the reservoir and add if necessary. Use a windshield washer fluid. Do not operate the washer switch when the reservoir is empty.



Battery electrolyte level

Standard type

Check the electrolyte level in each battery cell. Unscrew each filler cap and inspect fluid level. If the fluid is low, add distilled water to bring the level up approximately 5 mm (0.2 in) above the plates. Do not overfill.



Maintenance

Self-filling type battery

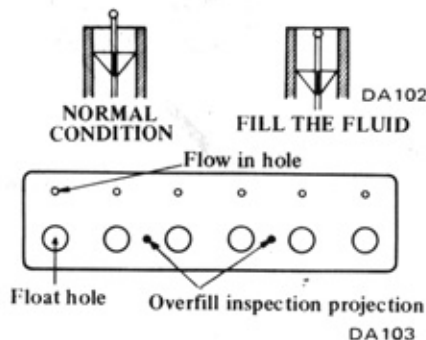
In case of self-filling battery, remove the filler cap and inspect the float position. If the float is lower than the normal condition, add the distilled water into the case attached on the battery upper face. The fluid will be equally self-filled for each cell. When the inflow stops, install the filler cap. Do not overfill over the projections.

To prevent corrosion and leakage of current, keep the battery top clean and dry.

The terminals should be kept clean and coated with petroleum jelly.

During freezing weather

After adding distilled water, drive the car for a short while to make sure that added water mixes properly with the electrolyte solution. Otherwise the water may freeze and damage the battery.



Tire inflation pressures

Check tire inflation pressures and maintain them at the pressures shown on the tire plate affixed to your car or listed on the following chart. Improper tire pressure can adversely affect tire life, riding comfort and load carrying capacity.

Inflation pressure should be checked frequently.

If you drive at high speeds for long distances, increase tire pressure by the amount shown in the following chart.

Unit: kg/cm² (psi)

			Car speed	
			Under 100 km/h (60 MPH)	Over 100 km/h (60 MPH)
Sedan Station Wagon		6.45-13-4PR 5.60-13-4PR	1.6 (23)	1.9 (27)
		165SR13	2.0 (28)	2.0 (28)
Van	Front	5.50-13-8PRLT	1.8 (26) [2.0] (28)	2.1 (29) [2.3] (33)
	Rear		1.8 (26) [3.5] (50)	2.1 (29) [3.8] (54)
Hardtop	R.H.	6.45S-14-4PR	1.6 (23)	1.9 (27)
	L.H.	6.45-13-4PR	1.6 (23)	1.9 (27)
	L.H. drive for Europe	165SR14	2.0 (28)	2.0 (28)

Remarks: [] Loaded

Maintenance

OIL AND FUEL RECOMMENDATION

Fuel recommendation

The L16 or L18, four cylinders, in-line, overhead camshaft engine will give you top power and high level performance using a proper grade gasoline of above 88 octane for all models, and under almost all driving conditions.

If "knocking" occurs with the gasoline you are using, and it can not be cured by slightly retarding the spark timing or other engine adjustment, it might be caused by the use of lower grade gasoline, then switch to the next higher grade fuel that will eliminate the "knocking".

Selection of right lubricant

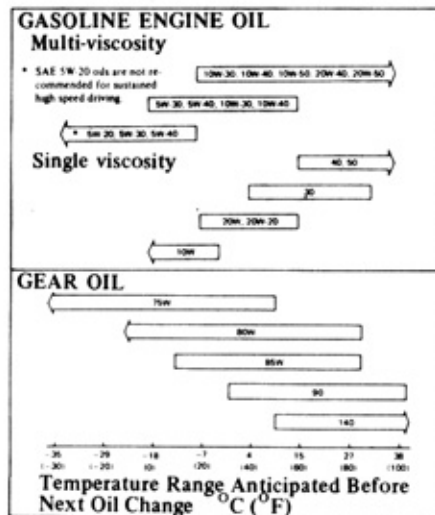
The selection and use of the proper lubricant does much to increase the life and improve the performance of your car. Under normal conditions the prescribed lubricating intervals listed in the "Periodical Maintenance and Lubricating Schedule" should be strictly followed. Under severe or unusual operating conditions, "Periodic and Lubricating Schedule" should be carried out more often. Stop-and-go city driving, driving in extremely hot or cold climates, driving in very dusty areas or on rough roads, driving in rain, or constant high speed driving are considered severe or unusual operating conditions.

The recommended degree of viscosity of lubricant for the engine, transmission, varies with temperature changes. Lubricants provided with the vehicle at the factory are intended for use at temperatures between 0° to 32°C (32° to 90°F).

In cold weather a low viscosity oil provides better lubrication because it flows more easily. In hot weather use a high viscosity oil since oil tends to become thin under high operating temperatures. Suitable oils are listed along with SAE number under the heading "Recommended SAE Viscosity Number."

It is not abnormal to add some oil between oil changes or during the break-in period, depending on the severity of operating conditions.

Recommended SAE viscosity number



Recommended lubricants

Item		Specifications	Remarks
Engine oil	Gasoline	SAE Classification SD or SE (MIL-L-2104B)	Refer to Recommended SAE Viscosity Chart
	Gear oil	Transmission and Steering	
Differential		API GL-5 (MIL-L-2105B)	
Automatic T/M		Type DEXRON	—
Multi-purpose grease		N.L.G.I. 2	Lithium soap base
Brake and Clutch fluid		DOT 3 (F.M.V.S.S. No. 116)	F.M.V.S.S.: Federal Motor Vehicle Safety Standard
Antifreeze		—	Permanent antifreeze (Etylene glycol base)

Maintenance

MINOR MAINTENANCE

The following are the minor checks that you can make periodically. If any deficiencies are found, regarding the need for repairs or replacements, your car should be brought to the attention of your authorized dealer or service station.

Hood lock

Be sure to check the hood closed firmly functioning hood lock mechanism. Lubricate hood lock assembly periodically.

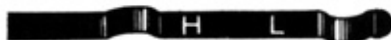
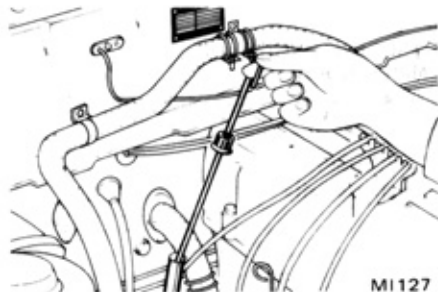
Coat grease to all functioning parts after wiping off any accumulation of dirt on lock parts. Make certain that the lock and release mechanisms operate smoothly several times.

Automatic transmission fluid

Check the fluid level at the intervals recommended in the "Periodical Maintenance and Lubrication Schedule". To make an accurate fluid level check:

1. Drive car several kilometers (miles) to bring transmission up to normal operating temperature.
[approximately 50 to 80°C (86 to 118°F)]
2. Park the car on a level surface and apply the parking brake.
3. Place select lever in park "P" position and leave engine running.
4. Remove dipstick and wipe clean.
5. Reinsert dipstick all the way into the filling pipe.
6. Remove dipstick and note reading.

If fluid level is at or below the "L" mark, add enough fluid to raise the level to the "H" mark. Do not overfill.



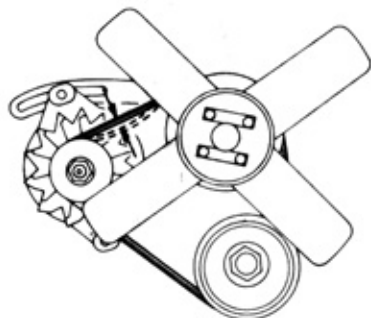
MI056

Maintenance

Cooling fan belt

Inspect the fan belt for wear, fraying, and cracking at the recommended intervals. If the belt is in poor condition, replace it. Check the fan belt tension frequently by applying moderate thumb pressure midway between the alternator and water pump pulley.

The belt should deflect 8 to 12 mm (0.31 to 0.47 in). Tighten a loose belt by moving the alternator up or down.



DA141

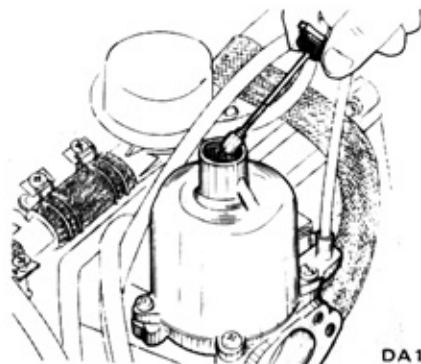
Air cleaner element

The coated paper element need not be cleaned.

Change the element periodically as recommended in the "Periodical Maintenance and Lubrication Schedule" section. Operation under dusty conditions may require more frequent element changes.

Carburetor damper oil

Check oil level periodically as recommended in the "Periodical Maintenance and Lubrication Schedule". Maintain the oil level as shown on the plunger rod indicator. Do not overfill.



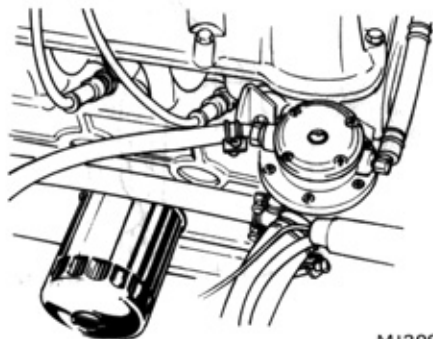
DA142

Maintenance

Oil filter

The oil filter should be changed periodically. Proper oil filtration is just as essential as the use of good engine oil.

The oil filter is a cartridge type. It must be renewed periodically as recommended in the "Periodical Maintenance and Lubrication Schedule".

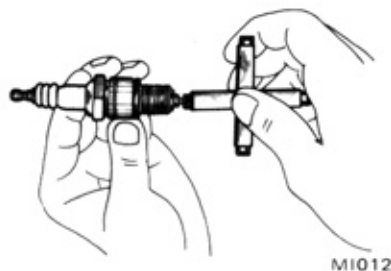


Spark plugs

The spark plugs should be checked or replaced periodically as recommended in the "Periodical Maintenance and Lubrication Schedule", and in other cases such as engine's hard starting or fuel economy loss.

Spark plug gap

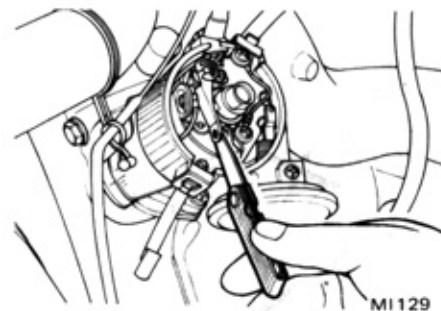
0.8 to 0.9 mm (0.031 to 0.035 in)



Distributor breaker point

Breaker points and gap should be inspected periodically.

Be sure that the contact surfaces are clean and not so burned as to require replacement. The correct gap of 0.45 to 0.55 mm (0.0178 to 0.0217 in) should be checked with a feeler gauge.



Windshield wiper blades

Check the wiper blades for operation and cleanliness. If the wiper blades do not wipe the windshield clean after the blades and windshield have been wiped off with a cloth, replace the blades.

To adjust the washer spray, move the nozzles toward the center of each half of the windshield.

Steering wheel

With the steering wheel in the straight ahead position, measure the amount of steering wheel play. Turn the steering wheel in both directions within the range where the front tires remain stationary as seen with the eyes; the amount of circumferential movement of the steering wheel at this time is the steering wheel play.

If the play exceeds 35 mm (1.38 in), have the steering wheel adjusted by your authorized NISSAN/DATSUN dealer.

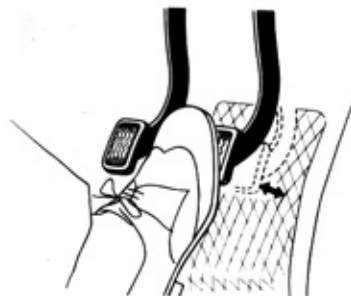


Brake pedal

When the brake pedal is fully depressed, the distance between the upper surface of the pedal pad and floor board should be 75 mm (2.95 in) or more.

When this distance approaches the prescribed limit value, have the brake adjusted by your authorized NISSAN/DATSUN dealer.

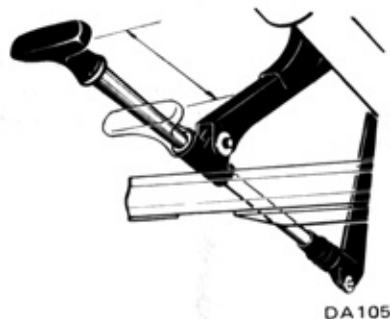
If the distance should abruptly be shortened, there is something wrong with the brake system. Stop driving your car immediately.



Maintenance

Parking brake

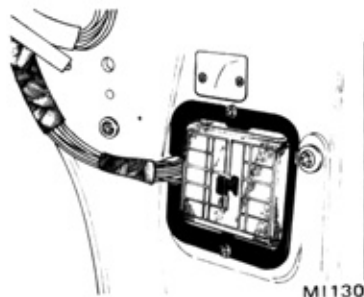
Engage the parking brake firmly from the completely released position. When the stroke of the brake lever is less than 140 mm (5.5 in), the parking brake is in good condition.



Fuses

Fuses are located under the instrument panel.

If a fuse needs to be replaced, refer to the specifications listed on the fuse box cover.



Bulb specifications

Light	Bulb
Headlight	37.5W 37.5/50W
Turn signal light	21W
Parking light	5W
Side flasher	5W
Tail/Stop light	5/21W
Back-up light	21W
License plate light	5W
Room light	10W
Trunk room light	5W
Luggage room light (Station Wagon and Van)	10W
Instrument illumination light and indicator lights	3.4W

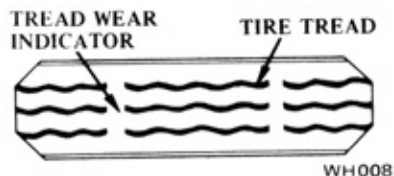
WHEEL AND TIRE

The performance, ride, and handling qualities of any car are greatly influenced by tire condition and pressure. Lower than recommended tire pressure will reduce tire life and ride qualities.

Higher than recommended pressure will also affect tire life and ride. This is because "hard" tires tend to augment rather than absorb road shocks. They are also more vulnerable to damage from bumps and blunt objects on the road.

Tire care

Tires have tread wear indicators in the surface. When the indicators appear, the tire should be replaced. When replacing tires or wheels, use the standard or optional tire sizes and types recommended on the tire plates affixed to the car or listed in the "Tire inflation pressures". Tires and wheels other than those recommended can adversely affect the ride, handling, ground clearance, body-to-tire clearance, and speedometer calibration.



All tires and wheels on the car must be of the same size, type and load carrying capacity. For your safety, radial, belted or conventional type tires must not be mixed.

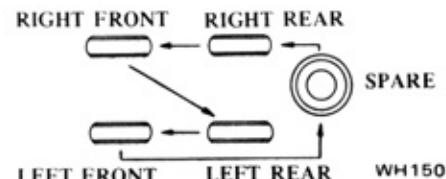
If you use snow-tires on your car, they must be of a size and type equal to the other tires on the car.

Tire rotation

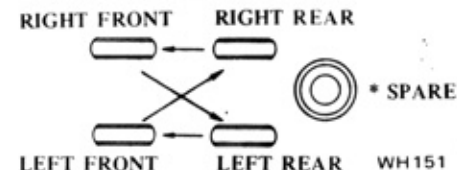
The following tire rotation systems are recommended.

– Bias & Bias belted tires –

- All the tires including the spare tire are of the same type.

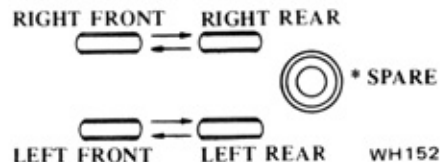


- The spare tire has a different brand from 4 tires on the ground.



- * The spare tire should be used in an emergency only.

– Radial ply tires –



- * Regardless of tire brand the spare tire should be used in an emergency only.

As to the tire rotation interval, refer to the "Periodical Maintenance and Lubrication Schedule".

Maintenance

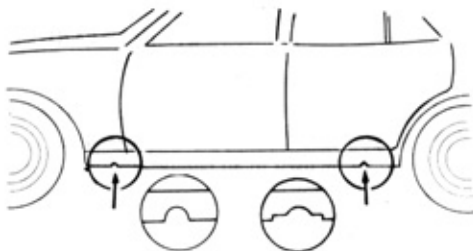
Changing tires

1. To change a tire, first apply the parking brakes. Block the wheel diagonally opposite to the tire to be changed with a wheel chock.



WH155

2. Place the jack under one of the four jack-up points.



DETAIL

WH156

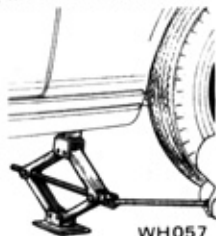
3. Using the flat end of the wheel nut wrench, remove the wheel cover and loosen the wheel nuts one or two turns each by turning them counter-clockwise.



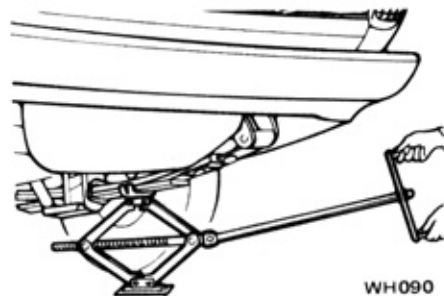
WH091

Note: Do not remove the wheel nuts until the wheel is raised off the ground.

4. Raise the car until the wheel clears the ground, remove the wheel nuts, and replace the wheel.



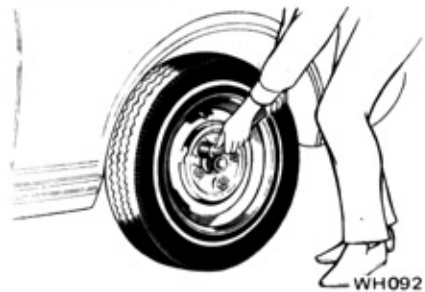
WH057



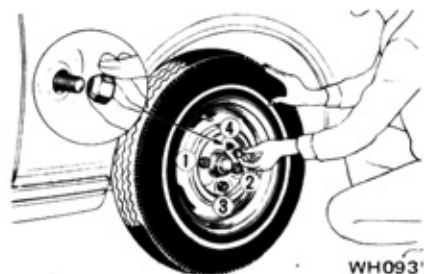
WH090

5. Tighten the wheel nuts alternately and evenly by turning them clockwise.

Be sure that the beveled end of the nuts face inward.



WH092



6. Lower the car until the wheel touches the ground. Then securely tighten the wheel nuts in the same sequence as above.

Caution: Never get under a car while it is supported only by a jack.

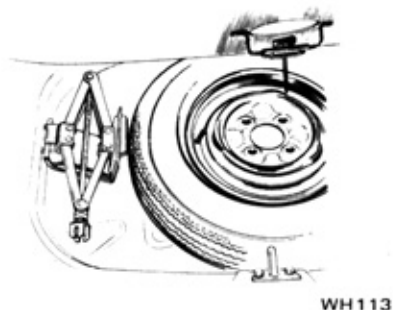
Always use safety stands to support the frame when you have to get beneath the car.

7. Replace the wheel cover, remove the wheel chocks, replace the tools and spare tire.

Spare tire and tool/jack stowage

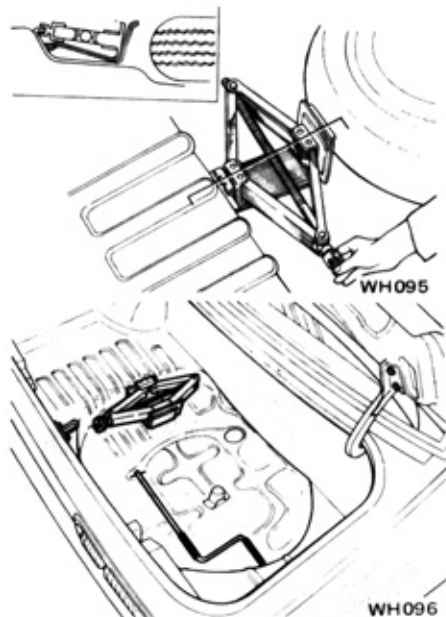
Sedan and Hardtop

The spare tire is located in the luggage compartment. Open the trunk lid and remove the rubber mat. Release the spare wheel clamp by turning it counterclockwise and remove the cover board.



The jack, jack handle, wheel chocks and the other tools are stowed under the cover board.

To eliminate the possibility of the jack, chocks, etc., rattling while the car is moving, stow them properly.



Station Wagon and Van

The spare tire is hung under the luggage floor.

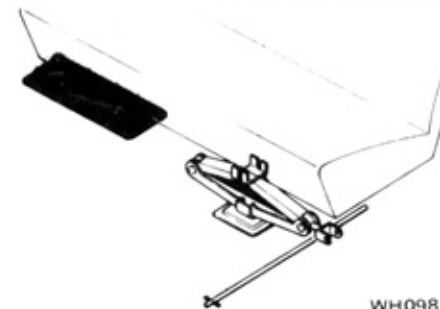
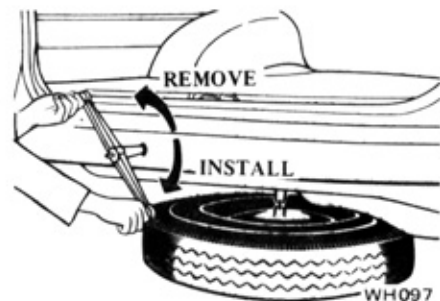
To remove the tire, crank the winch counterclockwise with the jack handle as shown in the illustration.

To lift out, install a hook in the

Maintenance

center of the wheel and crank the jack handle clockwise until the tire touches under the floor securely.

The tool bag installed under the driver's seat and the jack and wheel chocks are installed under the front assistant's seat.



CLEANING YOUR CAR

The finish and upholstery on your car continually receives abuse from industrial fumes, dirt, mud, road salt, etc.

Yet your car will always look well-cared for if you follow these helpful hints on car care.

The best way to preserve the finish and maintain its original beauty is to keep it clean.

The longer dirt is left on the surface, the greater the probability of some damage to the finish.

In areas where excessive road salt is used, the car should be cleaned more often to protect the finish.

Washing your car

Spray water over the car to remove loose dirt.

Clean with a soft bristle brush and soap and water solution.

Rinse well. Wipe with a chamois to keep from water-spotting.

Removing spots

Remove spots from the painted surface as soon as possible to prevent staining.

Tar or road oil

Remove tar or oil immediately as permanent staining may result.

Use tar and road oil remover. If you do not have remover, use kerosene. Then wash with a soap and water solution and wax to preserve the finish.

Insects or tree sap

Remove with a soap and water solution.

Waxing

Apply liquid wax or paste wax to obtain a long-lasting durable finish.

Wax at periodic intervals, depending on the environment where your car is used.

Leatherette and interior trim

Wipe leatherette and interior trim clean with a damp or wet cloth or use a recommended cleaner.

Caution: Make sure the cleaner selected is not harmful to the material.

Cloth upholstery and carpet

Clean with a vacuum cleaner or hard brush.

Stains should be removed with a soap and water solution or a spot remover.

Wipe with a damp clean cloth from outside of stain toward center.

Maintenance

PERIODICAL MAINTENANCE AND LUBRICATION SCHEDULE

Before delivery of your new car, your Dealer provides a pre-delivery inspection and adjustment service specified by the factory and designed to ensure satisfactory performance.

The following tables list the servicing required to keep your car operating at peak mechanical condition, and should be attended to as indicated, preferably by an authorized NISSAN/DATSUN dealer.

UNDER HOOD MAINTENANCE

MAINTENANCE OPERATION	MAINTENANCE INTERVAL												
	Number of thousands of kilometers		1	10	20	30	40	50	60	70	80	90	100
	Number of thousands of miles		0.6	6	12	18	24	30	36	42	48	54	60
Torque check cylinder head bolts, manifold & exhaust pipe nuts & carburetor attaching nuts			A										
Intake & Exhaust valve clearances			A			A			A			A	
Drive belts for cracks, fraying, wear & tension		I	I	I	I	I	I	I	I	I	I	I	
Engine oil		R	R: Every 5,000 km (3,000 miles)										
Engine oil filter		R	R	R	R	R	R	R	R	R	R	R	
Engine antifreeze coolant (Ethylene glycol base)	(3)					R				R			
Engine coolant (Soft water)			R	R	R	R	R	R	R	R	R	R	
Carburetor air cleaner filter (Viscous paper type)	(1)					R				R			
Carburetor air cleaner filter (Dry paper type)	(1)		I	I	I	R	I	I	I	R	I	I	
Spark plugs			I	R	I	R	I	R	I	R	I	R	
Dwell angle, ignition timing & carburetor idle speed		A	A	A	A	A	A	A	A	A	A	A	
Distributor cap, rotor, contact & condenser			I	I	I	I	I	I	I	I	I	I	
Distributor shaft & cam				L		L		L		L		L	
Ignition wiring & coil						I				I			
Fuel filter	(1)					R				R			
Positive crankcase ventilation (P.C.V.) system	(1)			I		I		I		I		I	
Brake, clutch & automatic transmission fluid levels	(2)	I	I	I	I	I	I	I	I	I	I	I	
Engine, carburetor damper & steering gear oil levels	(2)	I	I	I	I	I	I	I	I	I	I	I	
Engine for coolant, oil & fuel leaks	(2)	I	I	I	I	I	I	I	I	I	I	I	
Condition of cooling & fuel systems, master-vac hoses	(2)	I	I	I	I	I	I	I	I	I	I	I	
Brake fluid (With disc brake)				R		R		R		R		R	
Brake fluid (Only drum brake)						R				R			
Battery terminals, fluids & specific gravity	(2)	I	I	I	I	I	I	I	I	I	I	I	
Air conditioning system hoses, connections & refrigerant leaks		I	I	I	I	I	I	I	I	I	I	I	

- NOTE: (1) More frequent maintenance if under dusty driving conditions.
 (2) More frequent maintenance if under drive in areas using road salt or other corrosive materials.
 (3) Or every 24 months

Abbreviations A: Adjust I: Inspect, correct-replace if necessary.
 L: Lubricate R: Replace

EVAPORATIVE EMISSION CONTROL MAINTENANCE (Australia only)

MAINTENANCE OPERATION		MAINTENANCE INTERVAL										
		Number of thousands of kilometers		Number of thousands of miles								
		1	10	20	30	40	50	60	70	80	90	100
		0.6	6	12	18	24	30	36	42	48	54	60
Vapor lines & flow guide valve				I			I			I		
Fuel tank vacuum relief valve		I					I				I	

Abbreviation I: Inspect, correct-replace if necessary.

UNDER VEHICLE MAINTENANCE

MAINTENANCE OPERATION		MAINTENANCE INTERVAL										
		Number of thousands of kilometers		Number of thousands of miles								
		1	10	20	30	40	50	60	70	80	90	100
		0.6	6	12	18	24	30	36	42	48	54	60
Brake, clutch, fuel & exhaust systems for proper attachment, leaks, cracks, chafing, abrasion, deterioration etc.		I	I	I	I	I	I	I	I	I	I	I
Manual transmission & differential gear oil		R	I	I	I	I	R	I	I	I	I	R
Steering gear box & linkage, suspension parts & propeller shaft for damaged, loose & missing parts		I	I	I	I	I	I	I	I	I	I	I
Steering linkage & front suspension ball joints							G					G
Rear axle drive shaft joints							G					G

Abbreviations I: Inspect, correct-replace if necessary. R: Replace
G: Grease-up

Maintenance

OUTSIDE AND INSIDE MAINTENANCE

MAINTENANCE OPERATION	MAINTENANCE INTERVAL										
	Number of thousands of kilometers										
	1	10	20	30	40	50	60	70	80	90	100
	Number of thousands of miles										
	0.6	6	12	18	24	30	36	42	48	54	60
Wheel alignment. If necessary, rotate and balance wheels.			I		I		I		I		I
Steering wheel for play		I	I	I	I	I	I	I	I	I	I
Disc brake pads & other internal brake components for wear, deterioration & leaks (2)		I	I	I	I	I	I	I	I	I	I
Brake drums, linings & other internal brake components for wear, deterioration & leaks (2)			I		I		I		I		I
Wheel bearing grease					R				R		
Locks, hinges & hood latch (2)		L	L	L	L	L	L	L	L	L	L
Head light setting & function of lamps		I	I	I	I	I	I	I	I	I	I
Windshield wiper blades		I	I	I	I	I	I	I	I	I	I
Seat belts, buckles, retractors, anchors & adjuster		I	I	I	I	I	I	I	I	I	I

NOTE: (2) More frequent maintenance if under drive in areas using road salt or other corrosive materials.

Abbreviations I: Inspect, correct-replace if necessary. L: Lubricate
R: Replace

ROAD TEST

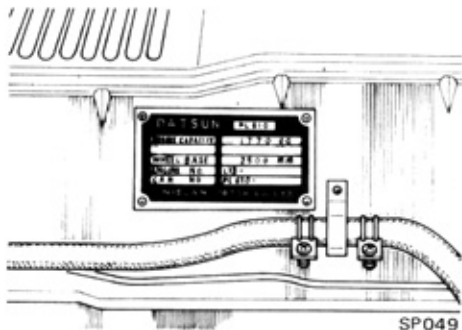
MAINTENANCE OPERATION	MAINTENANCE INTERVAL										
	Number of thousands of kilometers										
	1	10	20	30	40	50	60	70	80	90	100
	Number of thousands of miles										
	0.6	6	12	18	24	30	36	42	48	54	60
Foot brake, master-vac, NP-valve, parking brake & clutch for operation	I	I	I	I	I	I	I	I	I	I	I

Abbreviation I: Inspect, correct-replace if necessary.

CAR IDENTIFICATION PLATE LOCATION

The car identification plate is located at the center of the cowl top in the engine room.

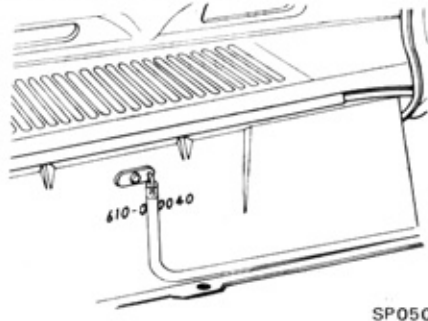
The plate shows the car type, engine capacity, maximum horsepower, wheel-base and engine and car serial numbers.



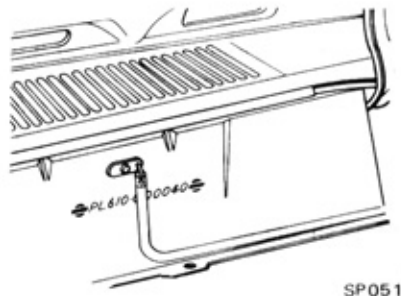
CAR SERIAL NUMBER LOCATION

The number is stamped on the right side of the cowl top and is broken down as illustrated below.

All models except for Europe



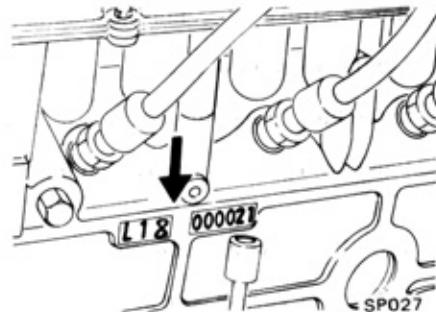
All models for Europe



Specifications

ENGINE SERIAL NUMBER LOCATION

The engine serial number is stamped on the cylinder block in the manner as shown.



Specifications

ENGINE

Engine model and design	L18, O.H.C. Twin-Carburetor 4 cylinder in line Gasoline	L18, O.H.C. Single-Carburetor 4 cylinder Gasoline	L16, O.H.C. Single-Carburetor 4 cylinder Gasoline
Ignition timing at idle speed *(degree/rpm)	10°/700	10°/600	10°/600
Displacement cc (US qt, Imp qt)	1,770 (1 7/8 , 1 1/2)	←	1,595 (1 5/8 , 1 3/8)
Bore x Stroke mm (in)	85 x 78 (3.346 x 3.071)	←	83 x 73.7 (3.267 x 2.902)
Compression ratio	8.5 : 1	←	←
Spark plug firing order	1-3-4-2	←	←
Valve clearance mm (in) (Warm)	Intake	0.25 (0.010)	
	Exhaust	0.30 (0.012)	
Drive Belt Tension mm (in)		8 to 12 (0.315 to 0.472)	
Tightening Torque kg-m (ft-lb)			
Cylinder head bolts	1st turn	4.0 (28.9)	
	2nd turn	6.0 (43.4)	
	3rd turn	6.5 to 8.5 (47.0 to 61.5)	
Manifold nuts		1.2 to 1.6 (8.7 to 11.6)	

* Equipped with A/T cars, the idling speed should be 50 rpm higher than the standard value in "N" range.

Specifications

	Liter	U.S. measure	Imper. measure
Fuel tank			
Sedan and Hardtop	55	14 $\frac{1}{2}$ gal	12 $\frac{1}{8}$ gal
Station Wagon and Van	52	13 $\frac{3}{4}$ gal	11 $\frac{1}{2}$ gal
Engine cooling system [includes 0.5 liter ($\frac{1}{2}$ US qt, $\frac{1}{2}$ Imp qt) required for heater]	6.5	6 $\frac{3}{8}$ qt	5 $\frac{3}{4}$ qt
Engine crankcase [includes 0.5 liter ($\frac{1}{8}$ US gal, $\frac{1}{8}$ Imp gal) required for oil filter replacement]	4.3	4 $\frac{1}{2}$ qt	3 $\frac{3}{4}$ qt
Manual transmission case			
4-forward transmission	2.0	4 $\frac{1}{4}$ pt	3 $\frac{1}{2}$ pt
5-forward transmission	1.7	3 $\frac{5}{8}$ pt	3 pt
Automatic transmission case	5.5	5 $\frac{3}{8}$ qt	4 $\frac{7}{8}$ qt
Final drive case housing			
Sedan	0.8	1 $\frac{3}{4}$ pt	1 $\frac{3}{8}$ pt
Station Wagon	1.3	2 $\frac{3}{4}$ pt	2 $\frac{1}{4}$ pt
Van	1.0	2 $\frac{1}{8}$ pt	1 $\frac{3}{4}$ pt
Steering gear box	0.27	$\frac{5}{8}$ pt	$\frac{1}{2}$ pt

NOTES:

Original Owner's Name: Phone Number:

Owner's Address:

Purchase Date:

Dealer's Name: Phone Number:

Dealer's Address:

Car Model: Color:

Car Number:

Engine Number:

Registration Number: Key Number:

Subsequent Owner's Name: Phone Number:

Owner's Address:

Purchase Date:

Mileage shown on Speedometer on Day of Purchase:

.....

.....

.....

.....



Index

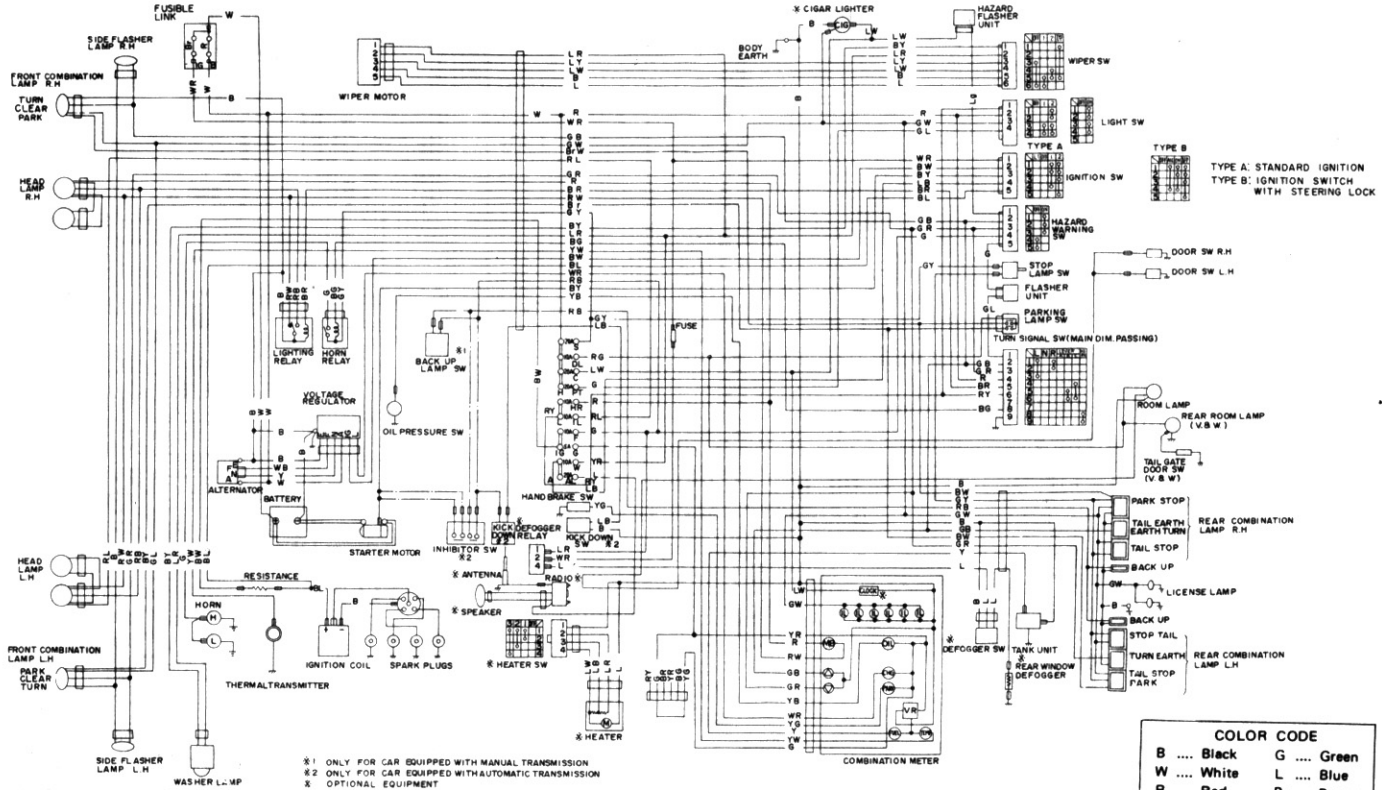
ACCELERATOR PEDAL	8, 9, 10
AIR CLEANER ELEMENT	49
AIR CONDITIONING SYSTEM (Optional)	32
ASH TRAY	8, 9, 10, 35
AUTOMATIC TRANSMISSION	25
AUTOMATIC TRANSMISSION FLUID	48
BATTERY ELECTROLYTE LEVEL	43
BRAKE AND CLUTCH FLUID LEVEL	43
BRAKE PEDAL	8, 9, 10, 51
BRAKE WARNING LIGHT (R.H. drive SSS and Europe only)	11, 12, 13, 15
BREAK-IN SCHEDULE	21
BULB SPECIFICATIONS	52
CAR IDENTIFICATION PLATE LOCATION	61
CAR SERIAL NUMBER LOCATION	61
CARBURETOR DAMPER OIL	49
CASSETTE STEREO (Optional)	8, 9, 10
CHOKE CONTROL KNOB	8, 9, 10, 20
CIGARETTE LIGHTER (Optional)	8, 9, 10, 35
CLEANING YOUR CAR	56
CLOCK (Optional)	11, 12, 13, 35
CLOCK RESET KNOB (Optional)	11, 12, 13
CLUTCH PEDAL	8, 9, 10
COAT HANGER	37
COIN HOLDER	37
CONSOLE BOX (Optional)	37
COOLING FAN BELT	49
DEICER DEVICE (Optional)	23
DISTRIBUTOR BREAKER POINT	50
DOOR LOCKS	3
ENGINE COOLANT LEVEL	42
ENGINE OIL LEVEL	41
ENGINE SERIAL NUMBER LOCATION	61
FREEING IMMOBILIZED CARS	39
FUEL FILLER LID LOCK	4
FUEL GAUGE	11, 12, 13, 14
FUEL WARNING LIGHT (R.H. drive SSS only)	13, 16
FUSES	52
GEAR CONTROL LEVER	8, 9, 10
GLOVE BOX	8, 9, 10
GLOVE BOX LOCK (Except Sedan Standard and Van)	37
HAZARD WARNING SWITCH (Optional)	8, 9, 10, 18, 39
HEAD LAMP CLEANER (Sweden only)	20
HEADLIGHT BEAM INDICATOR LIGHT	15
HEATER (Optional)	8, 9, 10, 30
HIGH BEAM PILOT LAMP	11, 12, 13
HOOD LOCK	48
HOOD RELEASE HANDLE	8, 9, 10
HORN	19

IGNITION SWITCH	22
IGNITION WARNING LIGHT	11, 12, 13, 16
ILLUMINATION LAMP (Optional)	16
INSIDE REARVIEW MIRROR	7
JUMP STARTING WITH BOOSTER BATTERY	40
KEYS	
Door locks	3
Fuel filler lid lock	4
Glove box lock (Except Sedan Standard and Van)	37
Ignition switch	22
Steering lock	22
Trunk lid/Tailgate lock	38
LIGHT SWITCH	8, 9, 10, 17
MANUAL TRANSMISSION	24
METERS AND GAUGES	
Fuel gauge	11, 12, 13, 14
Odometer	11, 12, 13
Oil pressure gauge (R.H. drive SSS only)	13, 14
Speedometer	11, 12, 13, 14
Tachometer (Optional)	14
Temperature gauge	13
MINOR MAINTENANCE	48
ODOMETER	11, 12, 13
OIL AND FUEL RECOMMENDATION	46
OIL FILTER	50
OIL PRESSURE GAUGE (R.H. drive SSS only)	13, 14
OIL PRESSURE WARNING LIGHT (Except R.H. drive SSS series)	11, 12, 16
OPENING THE HOOD	41
PACKAGE TRAY (Optional)	8, 9, 10
PARKING BRAKE LEVER	8, 9, 10, 20, 52
PARKING BRAKE WARNING LIGHT	15
PASSING LIGHT SWITCH	18
PERIODICAL MAINTENANCE AND LUBRICATION SCHEDULE	58, 59, 60
PUSH STARTING	40
RADIO (Optional)	8, 9, 10, 11, 12, 33
REAR WINDOW DEFROSTER SWITCH (Optional)	8, 9, 10, 32
RECOMMENDED LUBRICANTS	47
ROOM LIGHT	36
ROUTINE SERVICE	41
SAE VISCOSITY NUMBER	47
SAFETY CHECKS	2
SEAT ADJUSTMENT	
Folding rear seat (Station Wagon and Van)	38
Front seat fore-aft adjustment	4
Head restraints (Optional)	6
Reclining seat	5

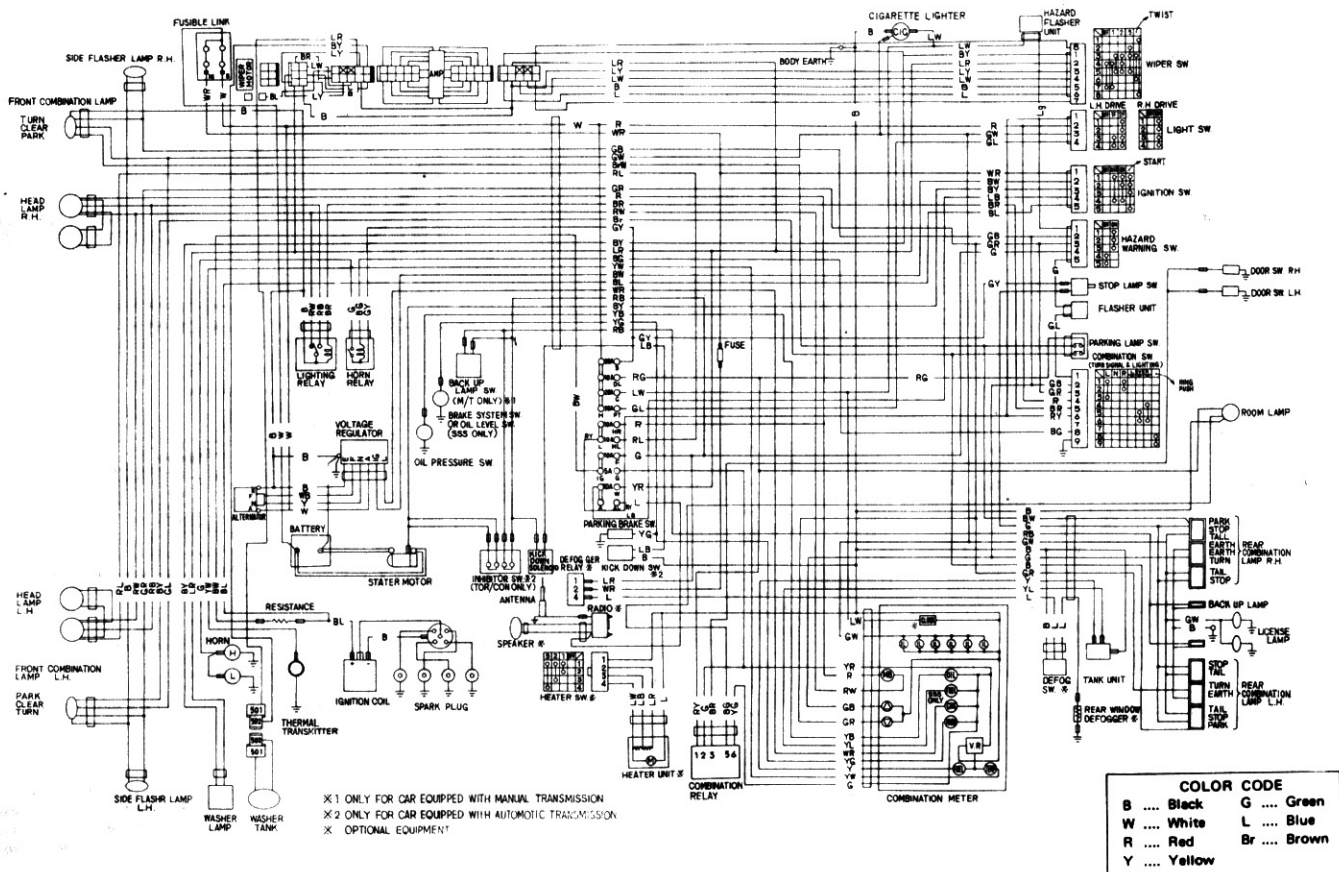
Seat lifter (Optional)	5
Tilting front seat (Hardtop only)	5
SEAT BELTS (Optional)	6, 7
SERVICE STATION INFORMATION	Back covered page
SIDE VENTILATOR	8, 9, 10
SPARE TIRE AND TOOL/JACK STOWAGE	55
SPARK PLUGS	50
SPECIFICATIONS	62, 63
SPEEDOMETER	11, 12, 13, 14
STARTING THE ENGINE	22
STEERING LOCK	22
STEERING WHEEL	51
STEREO TAPE PLAYER (Optional)	34
STRAP HANGER	36
SUN VISOR	36
SWITCHES	
Ignition switch	22
Light switch	8, 9, 10, 17
Passing light switch	18
Rear window defroster switch (Optional)	8, 9, 10, 32
Turn signal switch	16
TACHOMETER (Optional)	14
TEMPERATURE GAUGE	13
TIPS ON DRIVING	27
TIRE INFLATION PRESSURES	45
TOWING THE CAR	39
TRIPMETER	11, 12, 13
TRIPMETER RESET KNOB	11, 12, 13
TRUNK LID/TAILOGATE LOCK	38
TURN SIGNAL/DIMMER PASSING SWITCH LEVER	8, 9, 10
TURN SIGNAL INDICATOR LIGHTS	11, 12, 13, 14
TURN SIGNAL SWITCH	16
VENTILATION SYSTEM	29
WARNING AND INDICATOR LIGHTS	
Brake warning light (Optional)	11, 12, 13, 15
Fuel warning light (Optional)	13, 16
Hazard warning light	8, 9, 10, 18, 39
Ignition warning light	11, 12, 13, 16
Oil pressure warning light (Optional)	11, 12, 16
Parking brake warning light	15
Turn signal indicator light	11, 12, 13, 14
WATER TEMPERATURE GAUGE	11, 12, 14
WHEEL AND TIRE	53, 54
WINDOW CONTROL	37
WINDSHIELD WASHER FLUID LEVEL	43
WINDSHIELD WIPER BLADES	51
WIPER AND WASHER SWITCH	8, 9, 10, 19
WIRING DIAGRAM	66, 67, 68

WIRING DIAGRAM

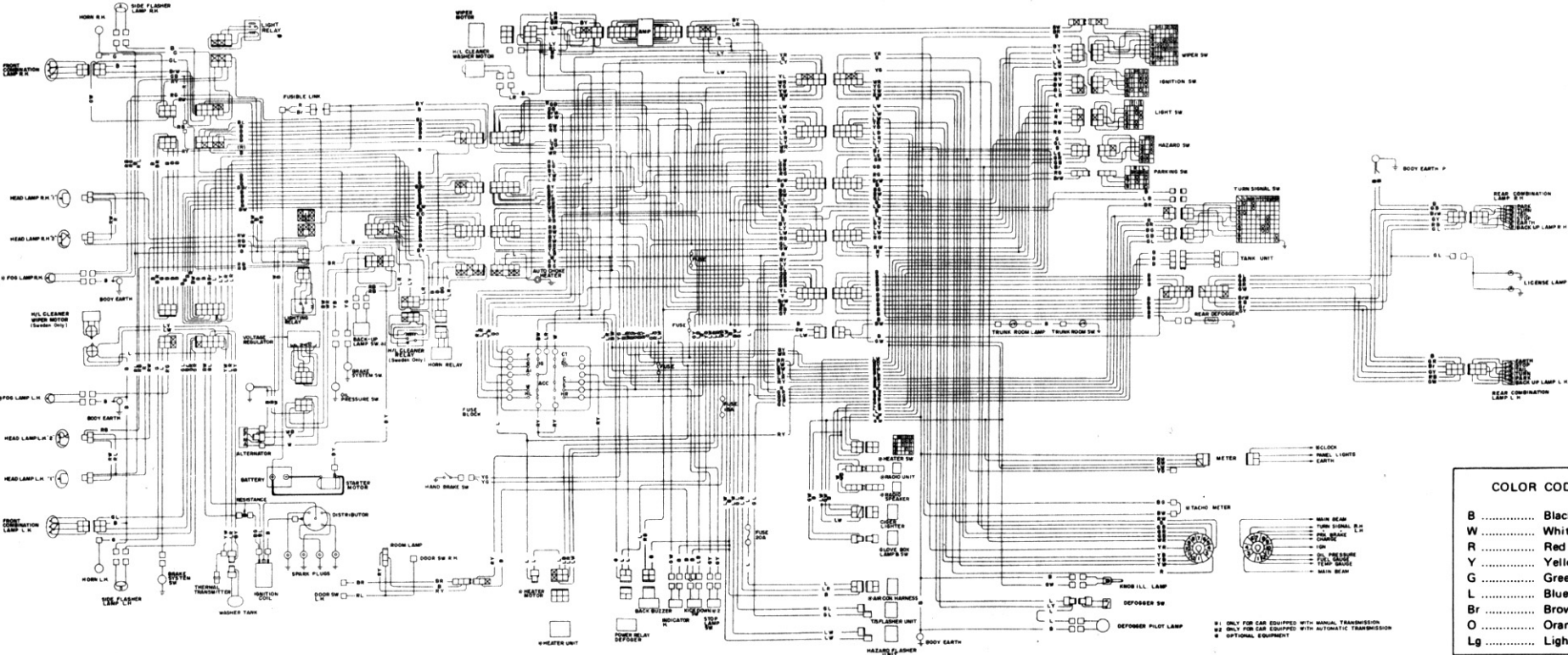
Sedan, Van, Station Wagon (Except for SSS, Europe)



SSS (Except for Europe)



All models (For Europe)



SERVICE STATION INFORMATION

FUEL FILLER CAP

It is located at right rear side of the car.

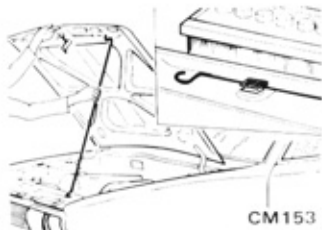


FUEL RECOMMENDATION

Use a proper grade fuel of 88 octane number for all models.

HOOD RELEASE

Pull the hood release handle located below the instrument panel and release the safety catch and raise the hood by hand.



ENGINE OIL DIPSTICK AND FILLER CAP ①

The engine oil dipstick is located on the right side of the cylinder block. The best time to check it is before operating the engine or at the last step in a fuel stop. Maintain the oil level between "H" and "L" marks on the dipstick.

ENGINE OIL RECOMMENDATION

Use only recommended engine oil. See page 47 for oil viscosity chart.

BRAKE ② and CLUTCH ③ FLUID

Check brake and clutch reservoir fluid level.

Use only recommended fluid. See page 47 for brake and clutch fluid.

WINDSHIELD WASHER ④

Check reservoir fluid level. Always use Nissan Windshield Washer Liquid or equivalent.

ENGINE COOLANT ⑤

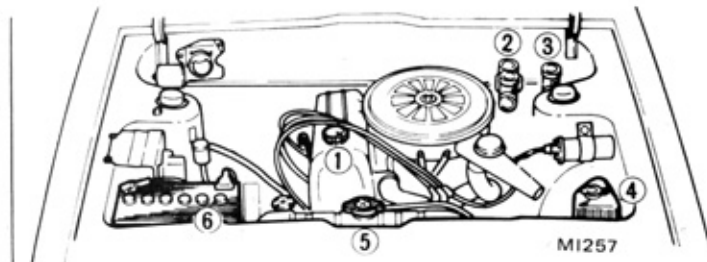
Check engine coolant level.

BATTERY FLUID ⑥

Check battery fluid level. If fluid level is low, add distilled water.

TIRE INFLATION PRESSURE

Keep tires inflated to pressures as shown on page 45.



610-A



Issued: September 1974 (151300)
Printed in Japan Publication No. OM5E-0610G1

NISSAN MOTOR CO., LTD. Tokyo, Japan